



minima 42 bruno fattorini

The considerable span of the shelf in extruded aluminium combined with the joining system, have allowed to develop the system in length, making it modern and adjustable to any kind of environment. Modular and flexible even thanks to the new kinds of storage units. This can be with open, door, flap opening doors or drawers. They are simply resting inside the structure and are repositionable quite easily, thus allowing to meet any storage requirements as desired. Uprights and shelves made of matt lacquered white and graphite grey extruded aluminium. Nominal lengths of cabinets: 30, 60, 90 cm, height 42 cm and depth 33 cm. Available in a matt lacquered micro-goffered finish or in a wood variant. Minima 42 is available in a free-standing variant (in 5 heights), always with a 33 cm depth.

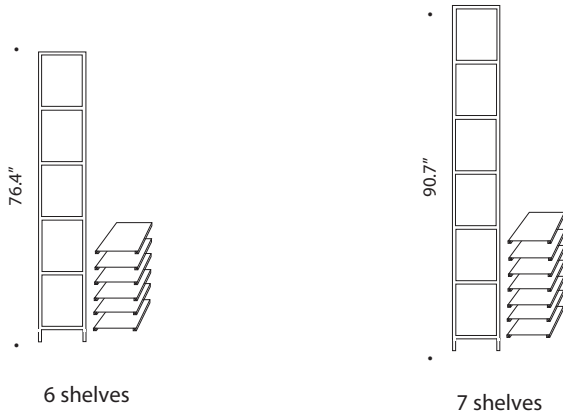
Units with door, with flap opening door and two-drawer are available with lock.

materials:

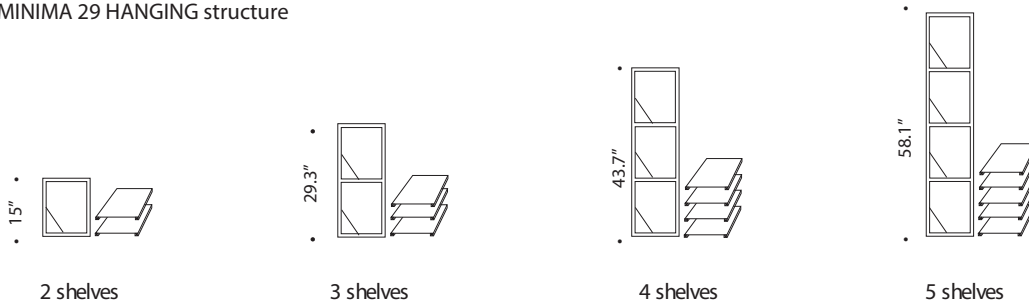
Aluminium, matt lacquered micro-goffered finish or in a wood variant

dimensions:

MINIMA 29 FREE-STANDING structure (Depth 11.4")

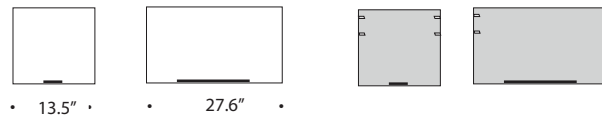


MINIMA 29 HANGING structure



MINIMA 29 FREE-STANDING/HANGING components

doors



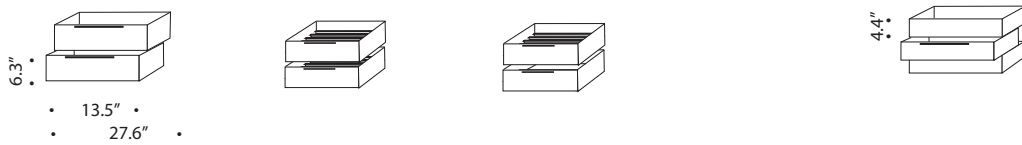
drawers H 17.1

standard

with CDs rack

1 standard+1 with CDs rack

drawers H 11.3



side panels

open/open

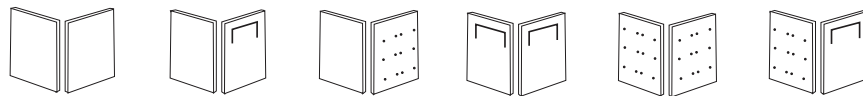
open/door

open/drawers

door/door

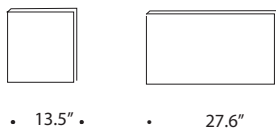
drawers/drawers

door/drawers



The diagram shows both sides of the panel, which may be fitted on either side of the compartment – to open right or left.

backs

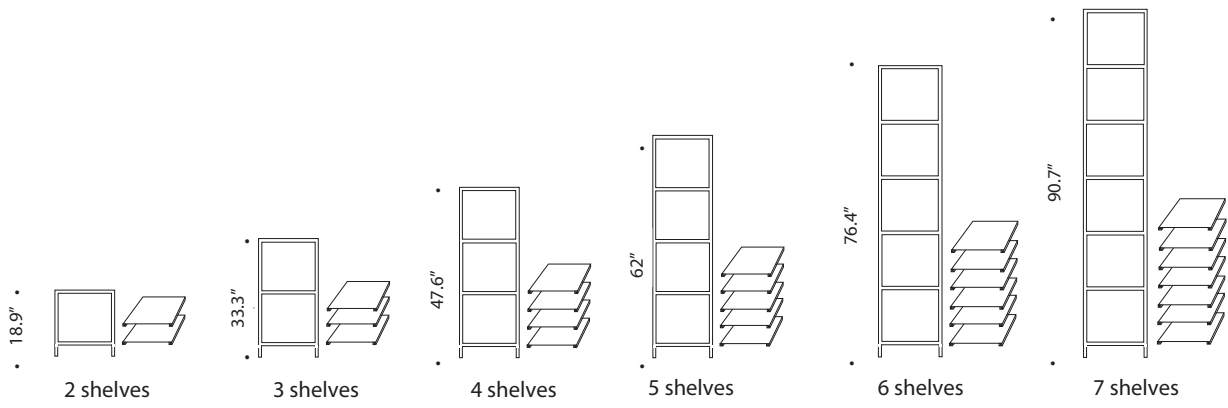


bookends



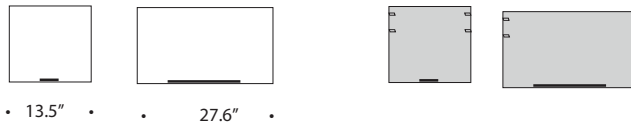
dimensions:

MINIMA 40 structure (Depth 15.7")



MINIMA 40 components

doors



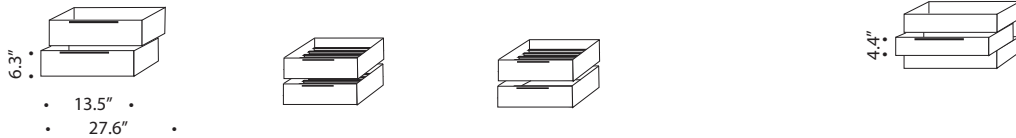
drawers H 17.1

standard

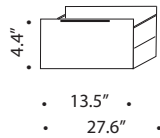
with CDs rack

1 standard+1 with CDs rack

drawers H 11.3



files holder H 34.5



side panels

open/open

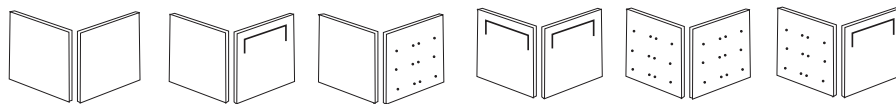
open/door

open/drawers

door/door

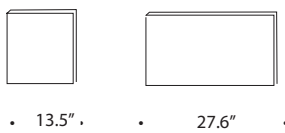
drawers/drawers

door/drawers



The diagram shows both sides of the panel, which may be fitted on either side of the compartment – to open right or left.

backs



castors H 48 and H 84.5

