

holo Kensaku Oshiro

The combination of Kristalia's technology with Kensaku Oshiro's creativity has led to Holo: a table featuring an original base and an oval hole, with a softly moulded shape in sheet metal, made using a process that involves many moulding and bending phases. This original base supports a Fenix-NTM® top with a matt anti-reflective effect that gives the surface of this material warm appeal and a soft touch.

material & dimensions:

Central Base:

86-1/2" x 39-3/8" x 29-1/2" H

98-1/2" x 39-3/8" x 29-1/2" H

110-1/4" x 39-3/8" x 29-1/2" H

Top finishes:

Kos white 0032

Fenix-NTM® London grey 0718

Fenix-NTM® Ingo black 0720

Fenix-NTM® Brushed

European solid oak

Brushed black solid oak

Solid American walnut wood

Base finishes:

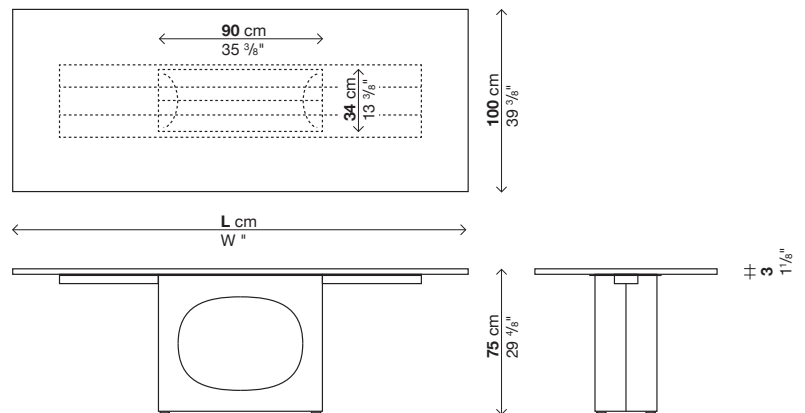
White lacquered steel (similar to RAL 9016)

"Fenix-NTM® London grey"

lacquered steel

Black lacquered steel (similar to RAL 9004)

Brass



material & dimensions:

Central Base with Glass Top:

86-1/2" x 39-3/8" x 29-1/2" H

98-1/2" x 39-3/8" x 29-1/2" H

110-1/4" x 39-3/8" x 29-1/2" H

Top finishes:

Transparent extra light glass

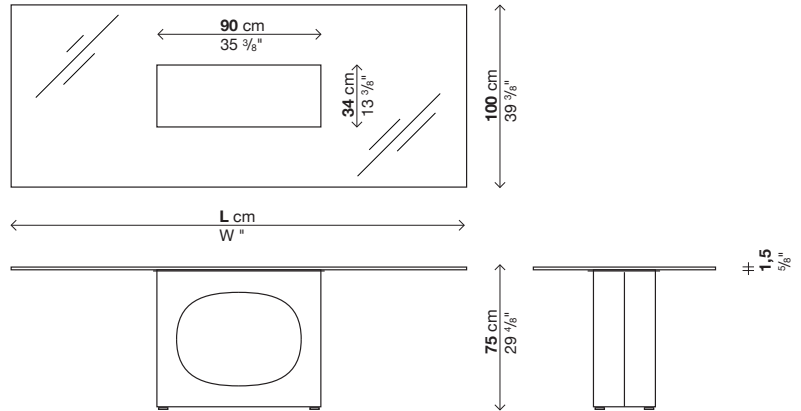
Base finishes:

White lacquered steel (similar to RAL 9016)

"Fenix-NTM® London grey" lacquered steel

Black lacquered steel (similar to RAL 9004)

Brass



Double Base:

126" x 47-1/4" x 29-1/2" H

141-3/4" x 53-1/8" x 29-1/2" H

Top finishes:

Kos white 0032 Fenix-NTM®

London grey 0718 Fenix-NTM®

Ingo black 0720 Fenix-NTM®

Base finishes:

White lacquered steel (similar to RAL 9016)

"Fenix-NTM® London grey" lacquered steel

Black lacquered steel (similar to RAL 9004)

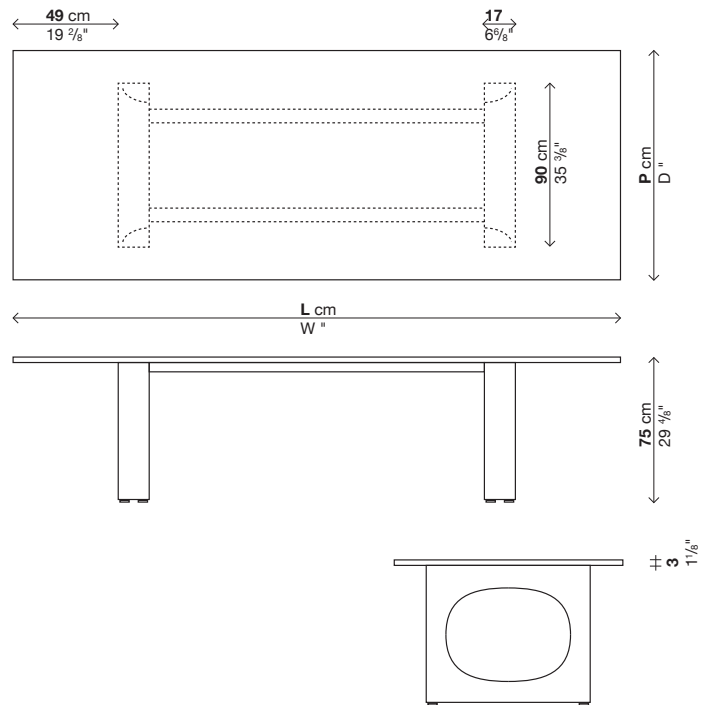
Base finishes:

White lacquered steel (similar to RAL 9016)

"Fenix-NTM® London grey" lacquered steel

Black lacquered steel (similar to RAL 9004)

Brass



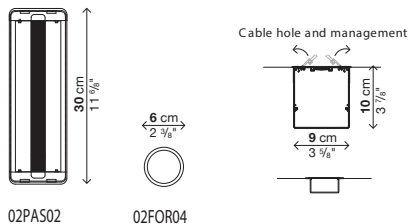
Optional:

Rectangular cable hole

round cable hole

plastic cabel mesh

vertebra, opal white methacrylate



Occasional table:

Top finishes:

Transparent extra light glass or transparent coloured glass

