



## grafo victor vasilev

Grafo comes from the designer's desire to endow a soft object with the "identifying mark" of the iconic products of the MDF Italia collection.

### materials:

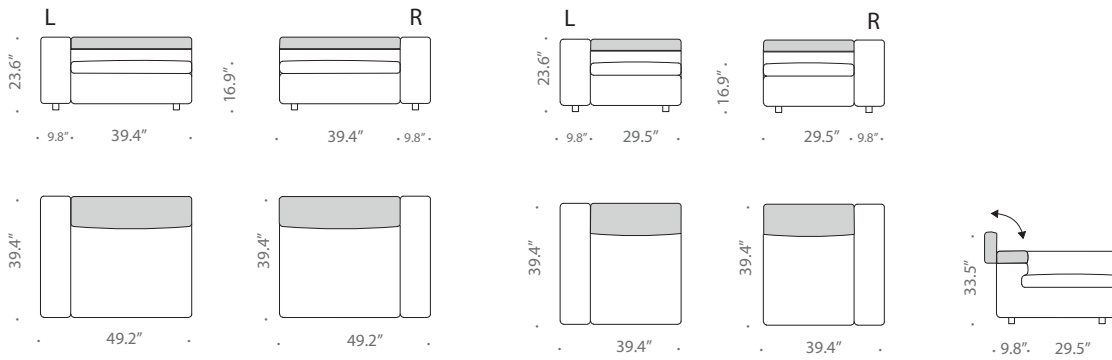
Upholstered sectionals : structure is made of solid wood and plywood with a base equipped with elastic belts and concealed feet.

Coffee table modules: made of a load-bearing structural MD-fibreboard panel and aluminium in thickness .6", in matte white or black Fenix®. Legs are made of cast aluminium with section .6"x.6", powder-coated in matte white or graphite.

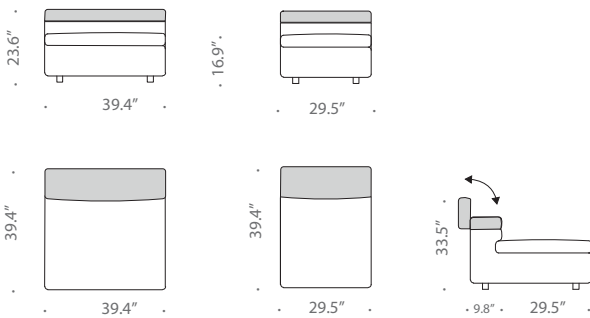
Available dims: 38.8"x 38.8", 19.4" x 38.8" and 9.6"x 38.8", height 15.7"

dimensions:

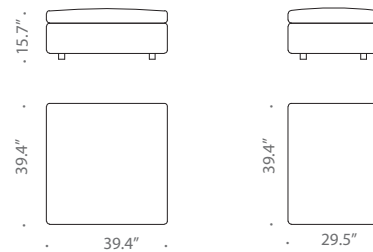
UPHOLSTERED SECTIONALS WITH ARM AND BACKREST



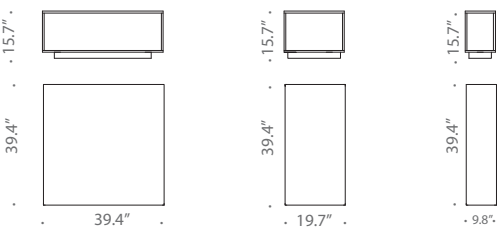
UPHOLSTERED SECTIONALS WITH BACKREST



UPHOLSTERED SECTIONALS



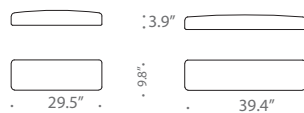
COFFEE TABLE MODULES



BACKREST CUSHION



ARMREST CUSHION



ADDITIONAL CUSHION

