



pantagrue! dirk wynants

When we started Extremis 20 years ago, we named our first piece Gargantua. It was based on a famous 16th century series of novels by a French monk, Rabelais, describing the life of two giants: Gargantua - whose appetite was unstoppable - and his son Pantagruel. The Gargantua table has a huge tabletop and is even extendable by putting the benches at table top height. The second generation, Pantagruel, is not a better version of his father, he's just different. The frame comes powder coated as well as galvanised, and there are several material options for the fixed benches and tabletop. It also features a Lazy Susan to easily pass through things. Customers can now make a choice between those two, according to the expected intensity and required flexibility of use. There's no perfect table for everyone, in those 20 years we've learnt that each person has a different focus.

The very same tabletop with central revolving tray comes with regular table legs as well. Eight chairs or even more stools can be fitted around this extra large round table. The table legs can also be extended if you want a cocktail table with the refined yet sturdy Pantagruel look.

materials:

Powder coated steel
frame & legs



Galvanised steel frame
& legs



High pressure laminate



Iroko tabletop & benches

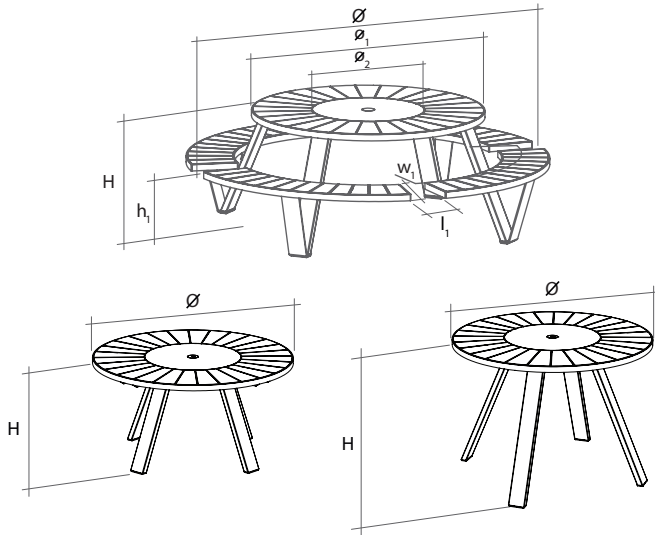


Hellwood tabletop
& benches



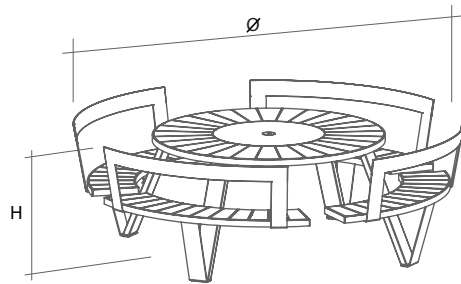
Sunbrella cushion





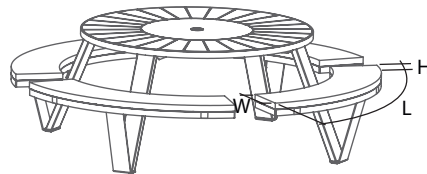
product dimensions (ft inch)	Ø	Ø ₁	Ø ₂	H	l ₁	w ₁	h ₁
pantagruel	7' 5"	4' 9"	2' 3"	2' 5"	0' 8"	0' 11"	1' 5"
pantagruel table w/legs	4' 9"			2' 5"			
pantagruel high table w/legs	4' 9"			3' 5"			

OPTIONAL BACKRESTS



product dimensions (ft inch)	Ø	H
pantagruel with backrests	8' 0"	2' 7"

OPTIONAL CUSHIONS



product dimensions (ft inch)	L	W	H
cushion	5' 1"	0' 11"	0' 2"

cushion colour options:

