



traffic konstantin grčić

Soft, geometrical volumes, with fabric or leather covering, supported on slender, metallised painted metal rod frames: this is the starting point from which Traffic developed. This complete collection of upholstery combines simplicity with refinement, and uses colour as a multifarious and expressive language. Playing on different proportions, the basic concept of Traffic is elaborated in a number of different forms: an armchair, a two-seater and three-seater sofa, a bench in two versions, a chaise longue and an island. The collection has expanded further to include two low tables, one large, one small, and a high table, again with a metal rod frame, but with a top in artificial stone, adding another tactile sensation to the home and contract scenario.

Materials

Frame in steel rod, painted in polyester powder. Cushions in expanded polyurethane with removable cover in fabric. Table tops in acrylic stone with dressed surface. Thickness 12 mm.

Fabric options:

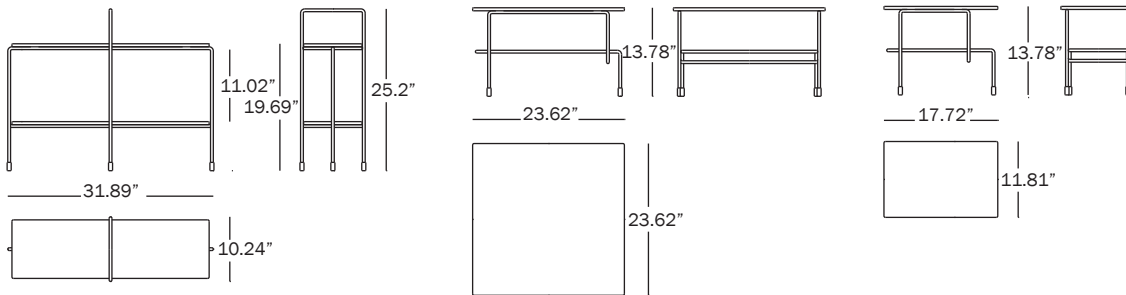
Kvadrat Steelcut Trio 2				Polyhedra				Dani Florida				
F-088 (533) arancio orange	F-222 (983) azzurro light blue	F-266 (205) beige beige	F-354 (953) verde green	F-227 turquoise turquoise	F-257 blu blue	F-237 bianco white	F-769 nero black	L-065 (2002) grigio antracite anthracite grey	L-012 (2048) marrone brown	L-0707 (2192) bianco crema cream white	L-0753 (2040) marrone scuro dark brown	
White 5011	Black 5013	Dark Green 5021	Sepia Brown 5016	Green Blue 5017	Signal Red 5019							



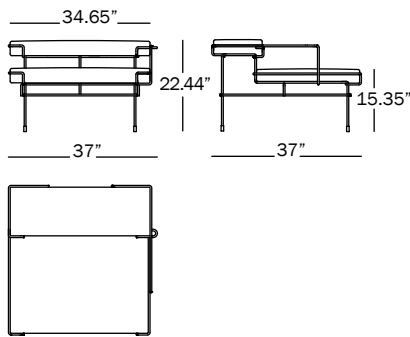
223 west erie street,
chicago, il., 60654
t: 312 335 1033 f: 312 335 1025
info@orangeskin.com
www.orangeskin.com

Dimensions

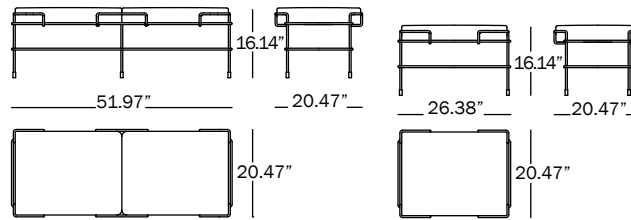
Low Tables



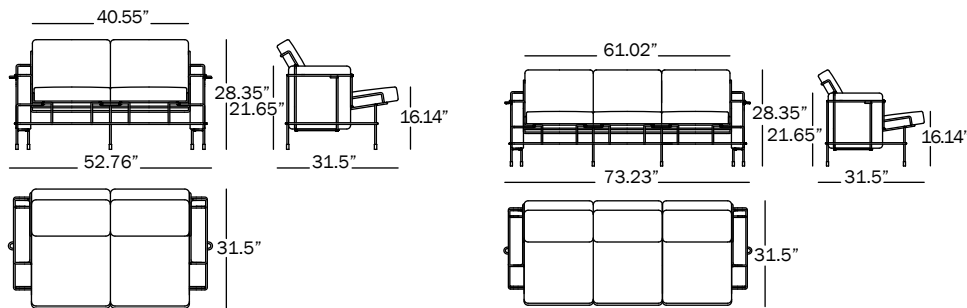
Platform



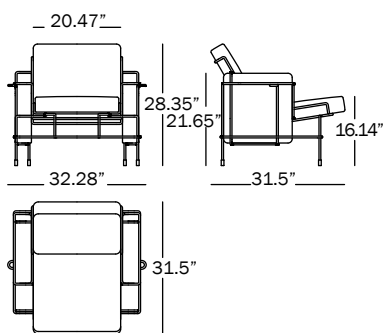
Benches



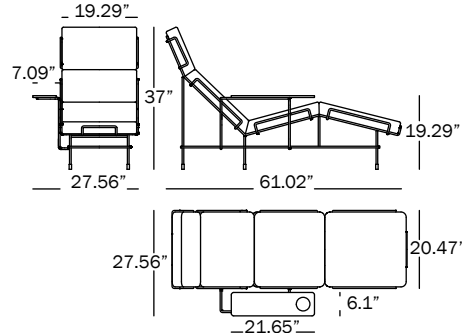
Sofas



Armchair



Chaise Lounge



223 west erie street,
 chicago, il., 60654
 t: 312 335 1033 f: 312 335 1025
 info@orangeskin.com
 www.orangeskin.com