

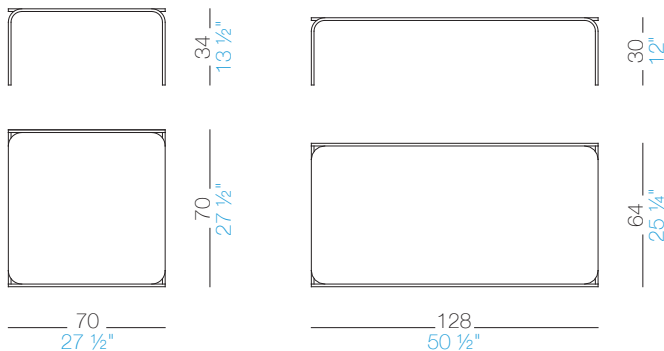


## toe' romano marcato

Metal tubing bent around to support and frame a thin, slightly rounded table top. The two tables of different heights can be combined together to create an element with two levels.

### materials:

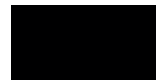
Square section tube in sandblasted stainless steel Aisi 304 or powder coated with top in white HPL or Fenix white or black HPL



### frame



stainless steel Aisi 304



black lacquered  
white lacquered

### top



white HPL  
black HPL