

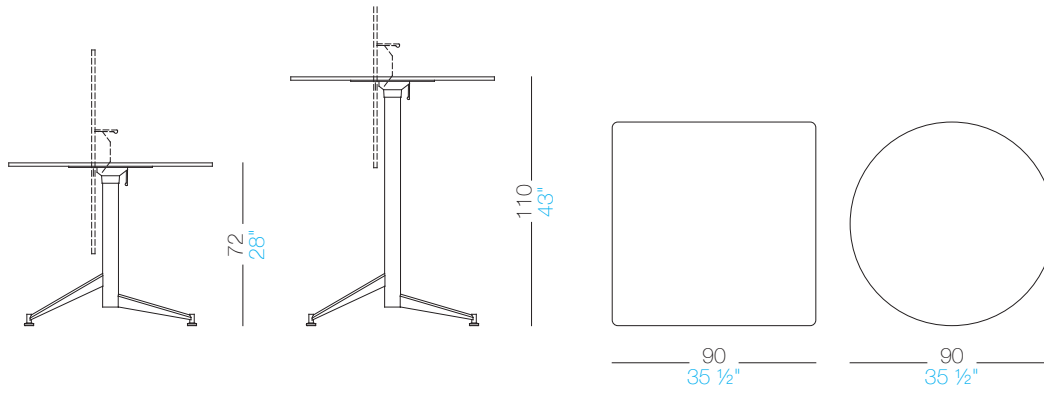
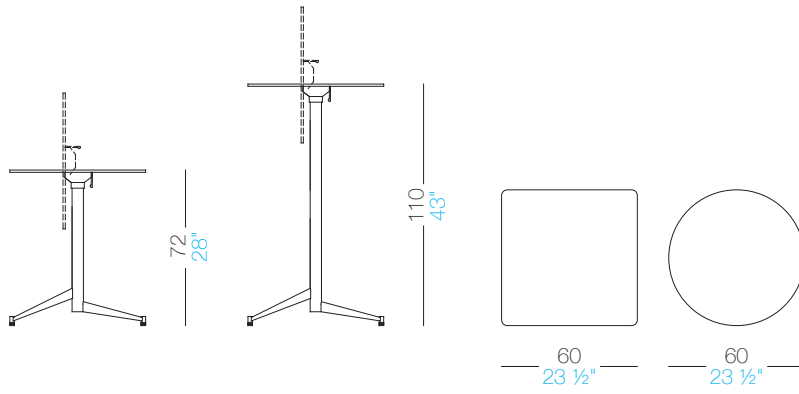


## seltz romano marcato

With this folding table lapalma provides a versatile option for multi-purpose rooms. Due to space constraints in many work environments, multi-purpose rooms are increasing in popularity and need to reconfigure easily to meet a variety of needs and functions. With its easy folding mechanism and one-handed release lever it is virtually effortless to set up, take down and store: one person can easily arrange or reconfigure a room in a matter of seconds. Seltz and Big Seltz are available in two different heights, and with round or square top. The frame is in stainless steel, with adjustable feet to give more stability. The bumpers help to prevent damages when nesting.

### materials:

Base in sandblasted stainless steel Aisi 304 with adjustable feet. Top are available HPL white, HPL blanch oak, HPL oak dark walnut, HPL Fenix black and white, blanch oak, oak dark walnut, black open pore and white lacquered.



**frame**



stainless steel Aisi 304  
sandblasted

**top**



white HPL  
black HPL