



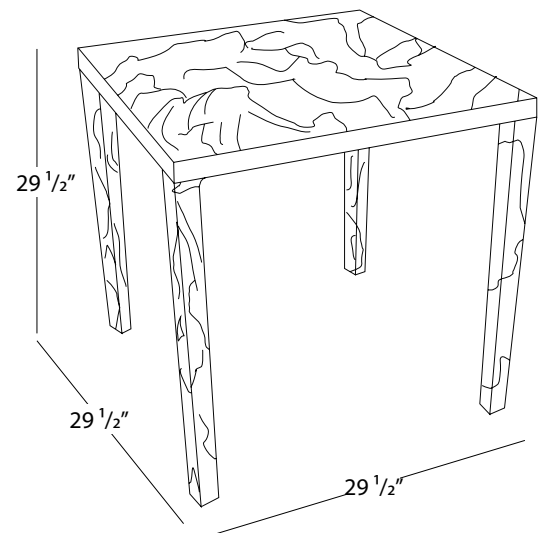
rememberme table

tobias juretek

Rememberme becomes a project: the use of recycling clothing -like jeans and cotton shirts- is proposed to create a coffee table that uses the same materials and philosophy of the chair launched in 2011.

materials:
Resin, jeans

dimensions:
H 29 1/2" x W 29 1/2" x L 29 1/2"



orange skin™

223 west erie street,
chicago, il., 60654
t: 312 335 1033 f: 312 335 1025
showroom@orangeskin.com
www.orangeskin.com