

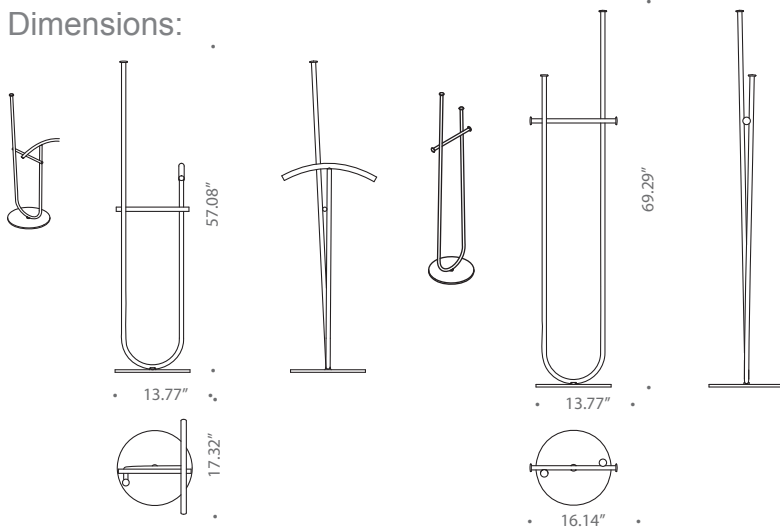
ombre leonardo talarico

Ombre, a plural name, indicates a single object created from simple lines. It is a tribute to essentiality, pure lines forming a functional complement, created for the living room, bedroom and office. A bended tube is crossed by linear tubing; this is how many passages are created for a clothing rack and a valet stand. The metal and wood inserts interact to make the structure remind of a sculpture, as well as to give form to a practical element.

Materials:

Load-bearing structure made of steel tubing Ø 20mm and removable steel stand Ø 360mm, matt black powder coated. Terminal pieces in solid ash or walnut wood, turned, with simple hook.

Dimensions:



orange skin

223 west erie street,
chicago, il., 60654
t: 312 335 1033 f: 312 335 1025
info@orangeskin.com
www.orangeskin.com