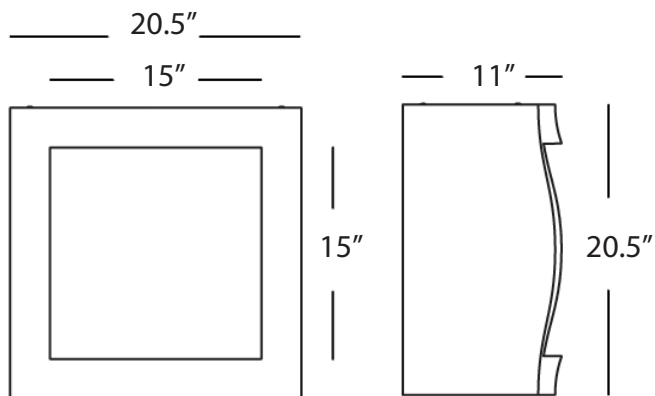


boogie woogie stefano giovannoni

Shelving system. Stacking and adjoining.
 Boogie Woogie enables back to back compositions.
 Year of production: 2004.
 Available with and without back panel.

materials:
 Standard injectionmoulded glossy ABS.



GLOSSY COLOURS

- red 1127 C
- white 1673 C
- black 1763 C