

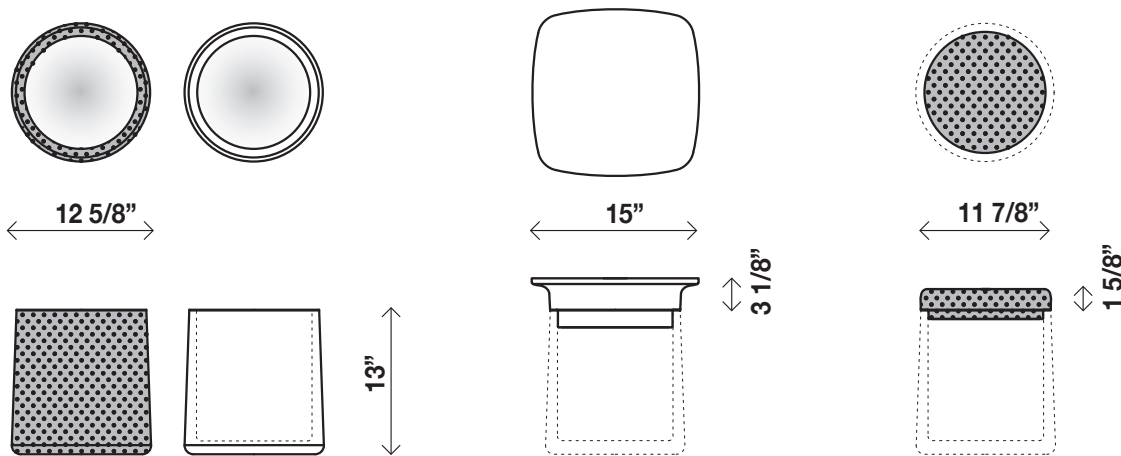
degree patrick norguet

Is it a pop sculpture, a piece of the scenery or a giant cork? No, not one of these, it is Degree. Used as a small table, bedside unit, storage unit or even a chair, it has a small top that recalls a graduate's hat. It is made of sturdy and practical black or white rotational polypropylene, with or without genuine cork coating: a natural material that adds material quality and familiar appeal to this original mult function item for the home.

materials:

base finish: white and black polypropylene, black polypropylene faced with cork.
 top hat finish: white and black polypropylene

dimensions:



223 west erie street,
 chicago, il., 60654
 t: 312 335 1033 f: 312 335 1025
 info@orangeskin.com
 www.orangeskin.com