

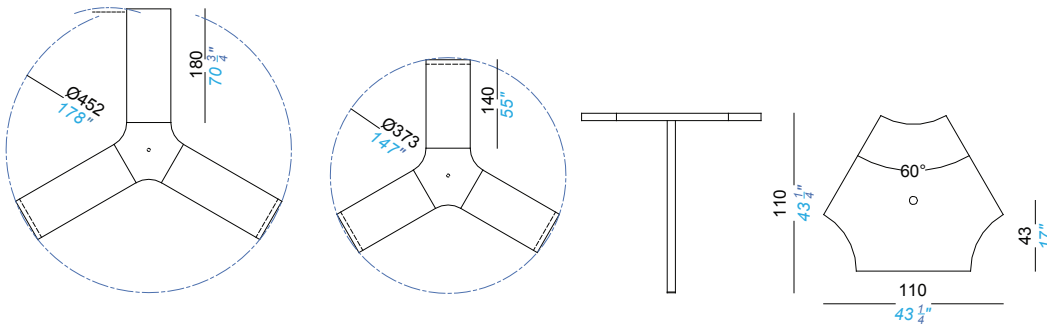
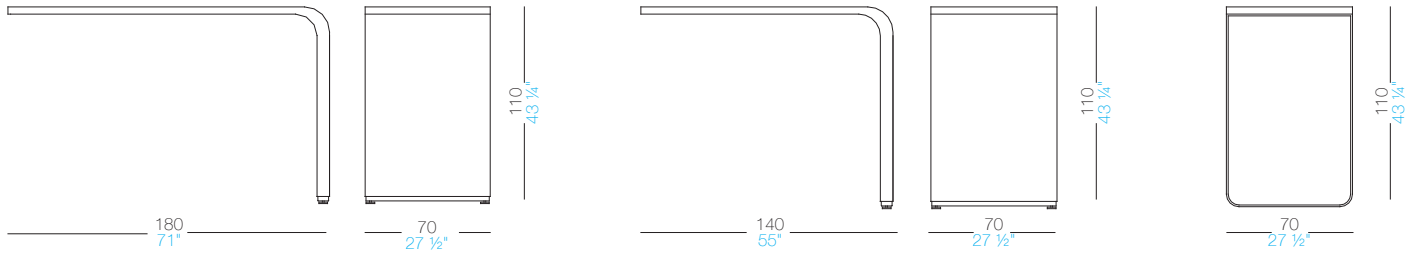


brunch romano marcato

The fluidity of the overall design is strengthened by the wide curve made up of two wooden surfaces matched with a different radius to create just one honeycomb board which ensure continuity of the wood grain. The wider profile of the side leg becomes gradually thinner as it curves to form the top. The other leg, of aluminium, provides a contrasting sober look. Visually light yet extremely stable, BRUNCH is a multitasking table, suitable for an unconventional residential project but also for leisure and corporate environments, such as dining areas, cafes, breakout and reception areas, public spaces and bars.

materials:

It is available in blanch oak, black oak, white lacquer or white laminate. The frame is matt chrome.



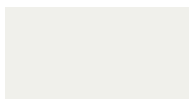
top



blached oak



black open pore



white lacquered
white laminate

frame

matt chromed