



axy claudio bellini

Lightness combined with dynamic perception of suspension is the theme developed by the design of the new table system Axy. A basic architecture in which the original design of the two structural bridges, entirely made of aluminium, recomposes the tensions and strength lines with expressive efficacy. A thin top completes the table, conveying an overall aerial impression underpinned by reassuring stability. Available in various configurations, including the extendable version, with a wide choice of materials and finishes Axy naturally adapts to a broad range of interpretations both for indoor and outdoor use, from the dining-table to the working desk.

Materials:

AXY and AXY COMFORT: fixed bearing frame made of extruded aluminium painted with matt graphite grey epoxy powder.

AXY EXTENSION: bearing frame and extension mechanism produced in oxidised black extruded aluminium, running on castors with ball bearings and lateral extraction of the bridge. Open and close lock with two levers placed on under top guides. Storage compartment of extension tops in aluminium painted with matt graphite grey epoxy powder, fitted with a small non-scratch carpet.

AXY COMFORT EXTENSION: bearing frame and extension mechanism produced in oxidised black extruded aluminium with longitudinal top movement (on ball bearings). Open and close lock with two levers placed on under top guides. Storage compartment of extension tops in aluminium painted with matt graphite grey epoxy powder, fitted with a small non-scratch carpet. For all types of die-cast and extruded aluminium bridge legs, available in the version painted with white and matt graphite grey epoxy powder; liquid stained in the colors titanium, bronze and matt black nickel.

orange skin

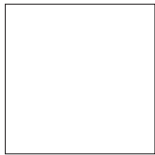
223 west erie street,
chicago, il., 60654
t: 312 335 1033 f: 312 335 1025
info@orangeskin.com
www.orangeskin.com

TOP: Tops are available in the materials: Fenix, oak, calce, pietra di Savoia and aluminium. Thickness 12 mm. Fixed versions with CALCE, PIETRA DI SAVOIA and ALLUMINIUM tops are also suitable for outdoor use. EXTENSION versions are only available in the finishes FENIX and OAK.

EXTENSIONS: The flexible features of AXY EXTENSION are underscored by the presence of two extensions, 50cm each, placed on the frame's guides. Extensions can be produced with either one or two elements. The nominal length of the table can be increased from 50 to 100cm, based on client requirements. AXY COMFORT EXTENSION has a single extension, 55cm, placed on the frame's guides.

ACCESSORIES: The tables, in the version AXY COMFORT D120 L240/260/280/300/340*/400* (cm) with tops in FENIX, WOOD and ALUMINIUM*, are available in the version with electrified profile. A series of adaptors with different types of sockets and functions can be hooked to the electrified profile. Steel spring to be inserted into specific holes prepared in the lower part of the electrified raceway to collect the cables. Finish: painted matt black.

FRAME



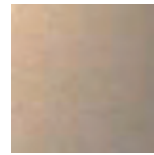
matt white paint X053



matt graphite grey paint X054



matt titanium paint X099



matt bronze paint X100



matt black nickel paint X101

TOP FENIX



matt white X020

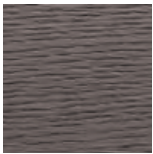


matt medium grey X021



matt black X022

TOP OAK



light X095



mocha X096



anthracite X097

TOP CALCE



light grey



black

TOP PIETRA DI SAVOIA

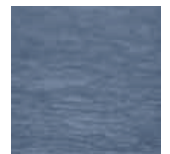


medium grey

TOP ALUMINIUM



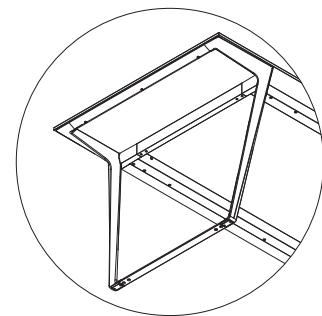
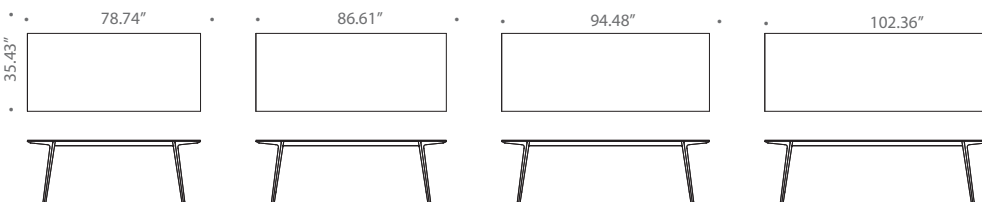
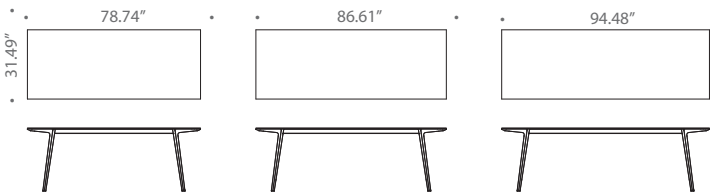
bronze X109



black X110

Dimensions:

AXY

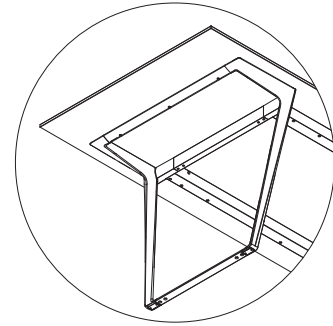
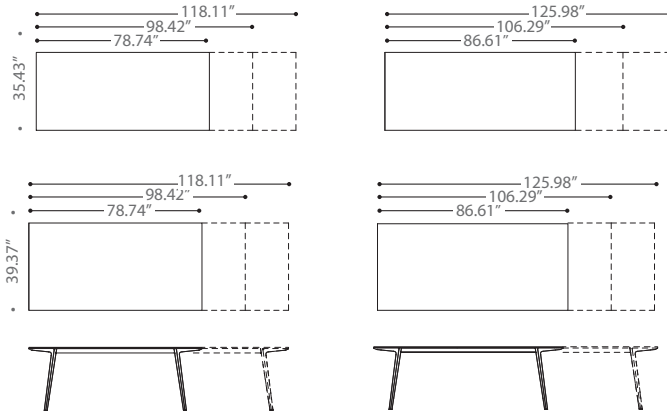


Axy and Axy Extension have a top aligned with the frame both on the short and on the long side.



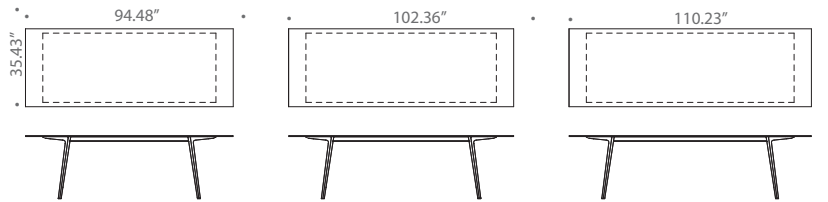
223 west erie street,
chicago, il., 60654
t: 312 335 1033 f: 312 335 1025
info@orangeskin.com
www.orangeskin.com

AXY EXTENSION

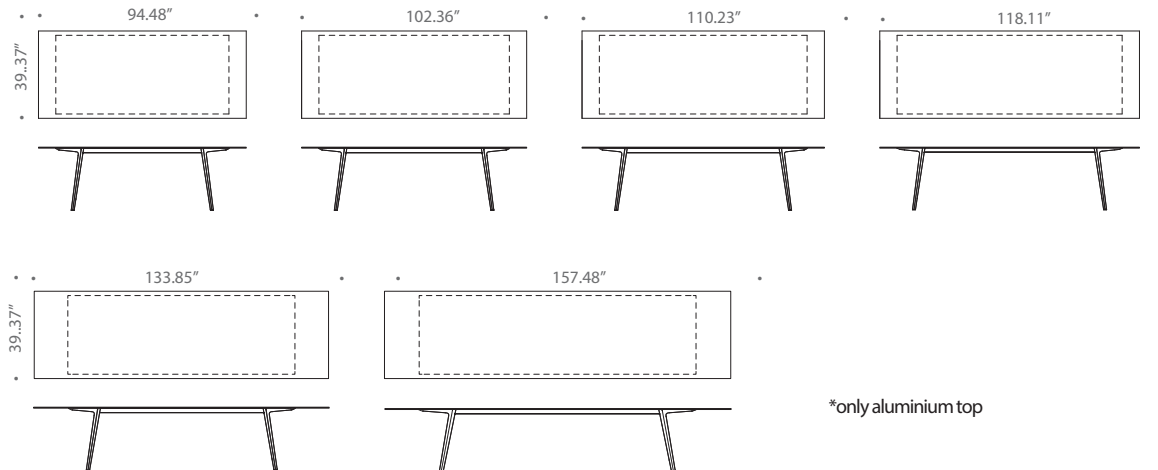


Axy Comfort and Axy Comfort Extension have a top overlapping the frame. Axy Comfort: +20 cm on the shorter side and +5 cm on the longer side + 40 cm on the long side and 5 cm on the short side, only for the version with aluminium top. Axy Comfort Extension: when extended, +27,7 cm on the shorter side and +5cm on the longer side.

AXY COMFORT 90

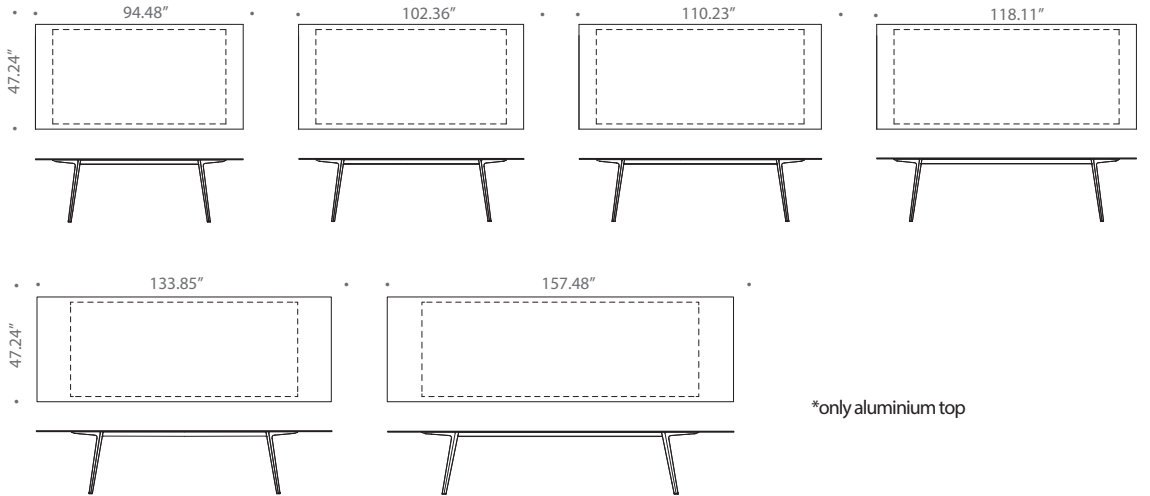


AXY COMFORT 100

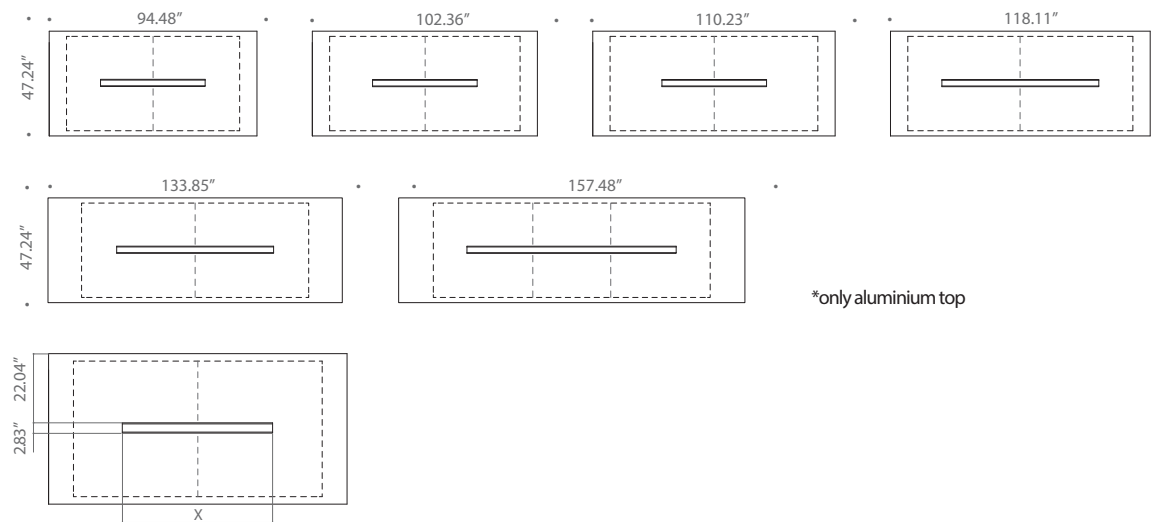


*only aluminium top

AXY COMFORT 120



AXY COMFORT 120 WITH ELECTRIFIED PROFILE



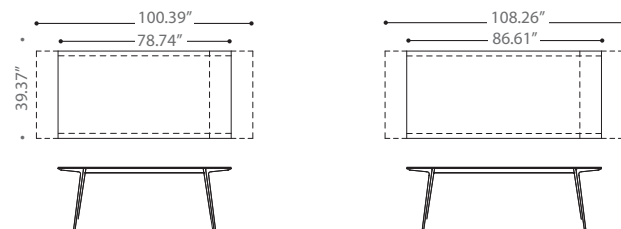
Dimensioning of raceways to collect the cables , single version (X):

L94.48",102.36",110.23" = 47.24"

L118.11",133.85" = 70.86"

L157.48" = 94.48"

AXY COMFORT EXTENSION



223 west erie street,
chicago, il., 60654
t: 312 335 1033 f: 312 335 1025
info@orangeskin.com
www.orangeskin.com