



alma studio 63

Lightness and strength – upon first glance Alma is linear, but closer inspection reveals a random side. Alma combines these contradictions with the various heights, depths and dimensions of its modules. Alma is designed to hold books, memories, images and objects, all fitting dynamically in the irregular space spaces which make up the structure and soul of Alma.

materials:

Painted Metal

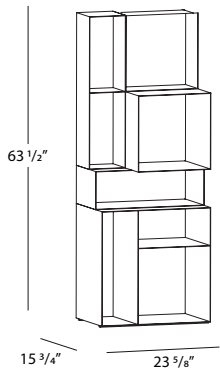
colors:

- White box + White back panel
- White box + Beige back panel
- White box + Grey back panel
- White box + Black back panel
- White box + Green back panel

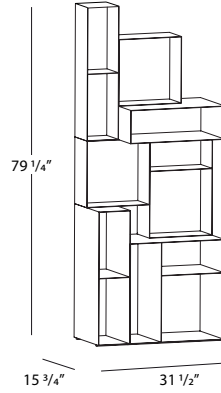
orange skin

223 west erie street,
chicago, il., 60654
t: 312 335 1033 f: 312 335 1025
showroom@orangeskin.com
www.orangeskin.com

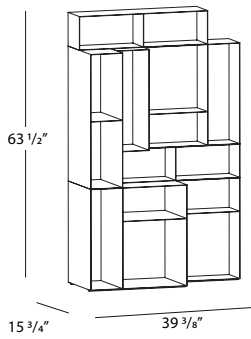
Alma Extrasmall 01



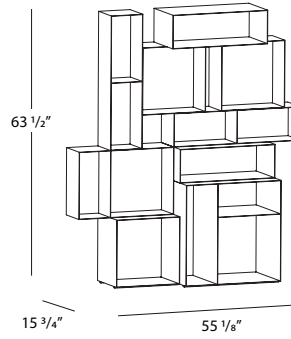
Alma Extrasmall 02



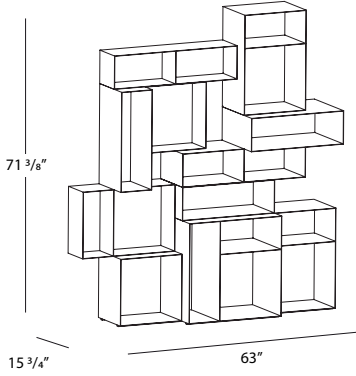
Alma Extrasmall 03



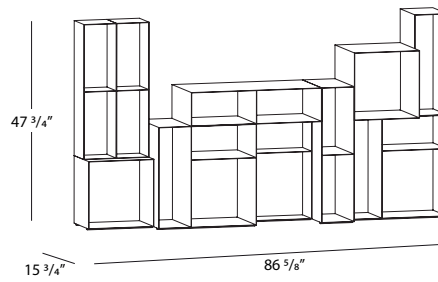
Alma Extrasmall 04



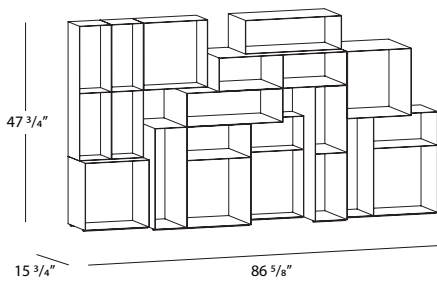
Alma Small



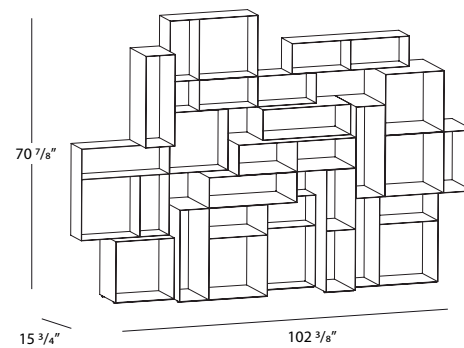
Alma Medium 01



Alma Medium 02



Alma Large



alma hanging modules

stuido 63

Alma bookcase, introduced in 2011, becomes a modular bookcase too: in fact, three modules -small, medium and large - that can be hanged and arranged to one's own taste, derive from the basic element. Furthermore, thanks to the fabric panels, it is possible to customize each module, making the bookcase unique and colourful.

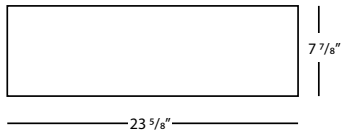
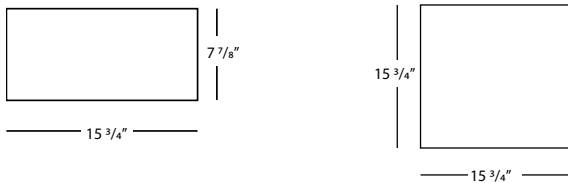
materials:

Painted Metal
Fabric Panel

colors:

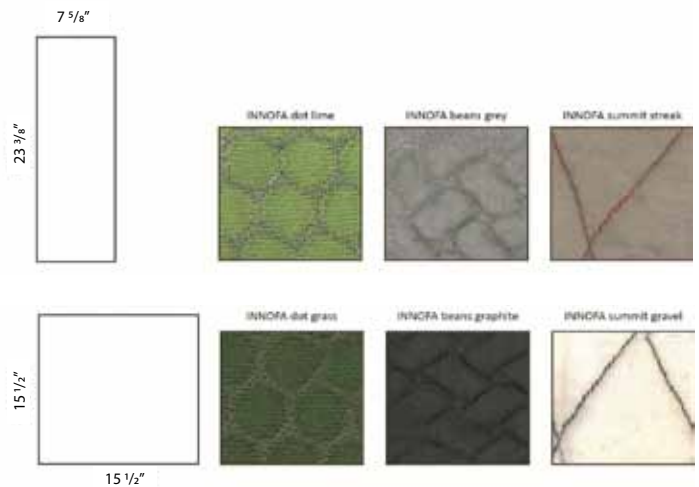
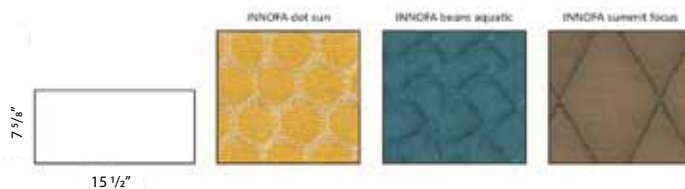
- White box + White back panel
- White box + Beige back panel
- White box + Grey back panel
- White box + Black back panel
- White box + Green back panel

dimensions



fabrics

Introduced in 2011, becomes a modular bookcase too: in fact, three modules -small, medium and large - that can be hanged and arranged to one's own taste, derive from the basic element. Furthermore, thanks to the fabric panels, it is possible to customize each module, making the bookcase unique and colourful.



orange skin

223 west erie street,
chicago, il., 60654
t: 312 335 1033 f: 312 335 1025
showroom@orangeskin.com
www.orangeskin.com