



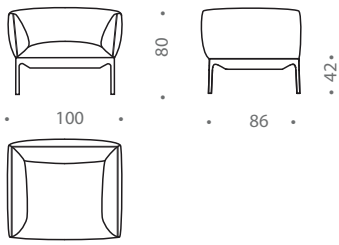
yale x jean marie massaud

Armchair and sofa with strong personality and large cushions, providing considerable comfort and great functionality. Available in two different seat depths, and in two different backrest heights, which guarantee a comfortable sitting position and strong adaptation to the needs and requirements of the moment.

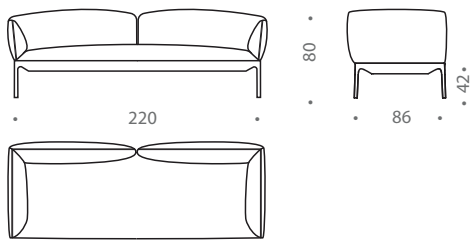
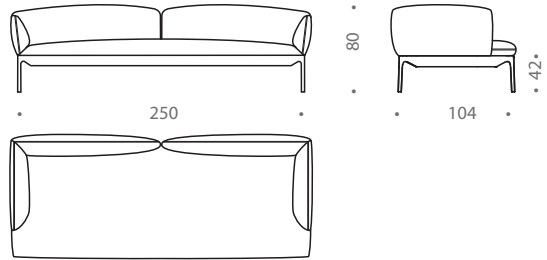
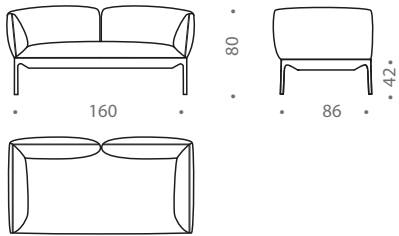
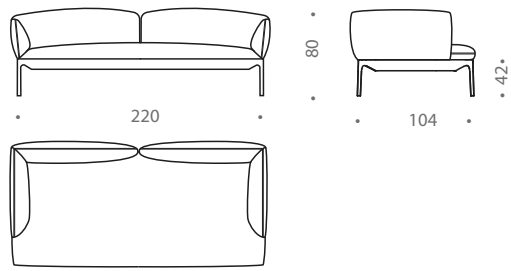
materials:

Extruded aluminium frame with elastic bands, diecast aluminium feet. The frame is painted matt white, stone grey and anthracite grey. Wadding. Backrest and armrest with internal load-bearing structure in tubular aluminium and a particular system for fastening to the profile. Variable-density foam polyurethane padding and cover in Rollo Fill® (polyester microspheres) and polyester wadding. This particular composition of the cushion gives the padding natural softness and elasticity, a long lifespan and high comfort. Cushions with topstitched seams and raised profiles.

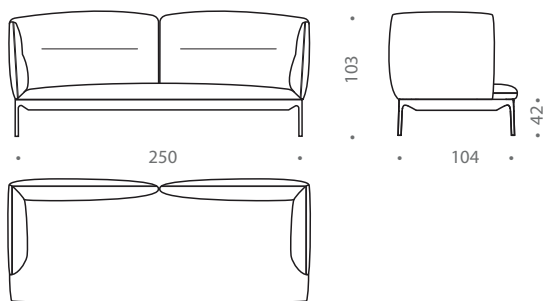
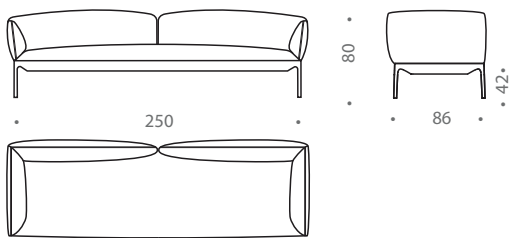
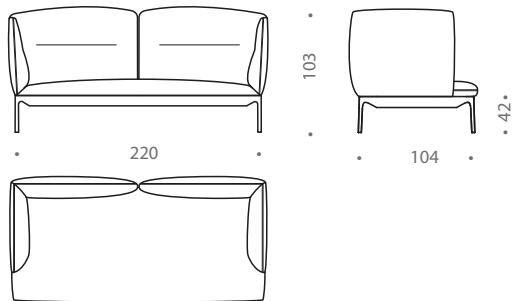
STANDARD VERSION WITH LOW BACKREST



DEEP VERSION WITH LOW BACKREST



DEEP VERSION WITH HIGH BACKREST



POUF

