



yale bed jean marie massaud

Double bed with upholstered headboard

materials:

Structure in extruded aluminium, die-cast legs in aluminium. The structure is painted matt in the colours white, stone grey and anthracite grey. Load-bearing orthopaedic platform in tubular steel with 40x30mm section, powder coated finish. Fixed structure, with slats in laminated beech. Orthopaedic platform in birch plywood.

dimensions:

low headboard (90 cm) and high headboard (103 cm).

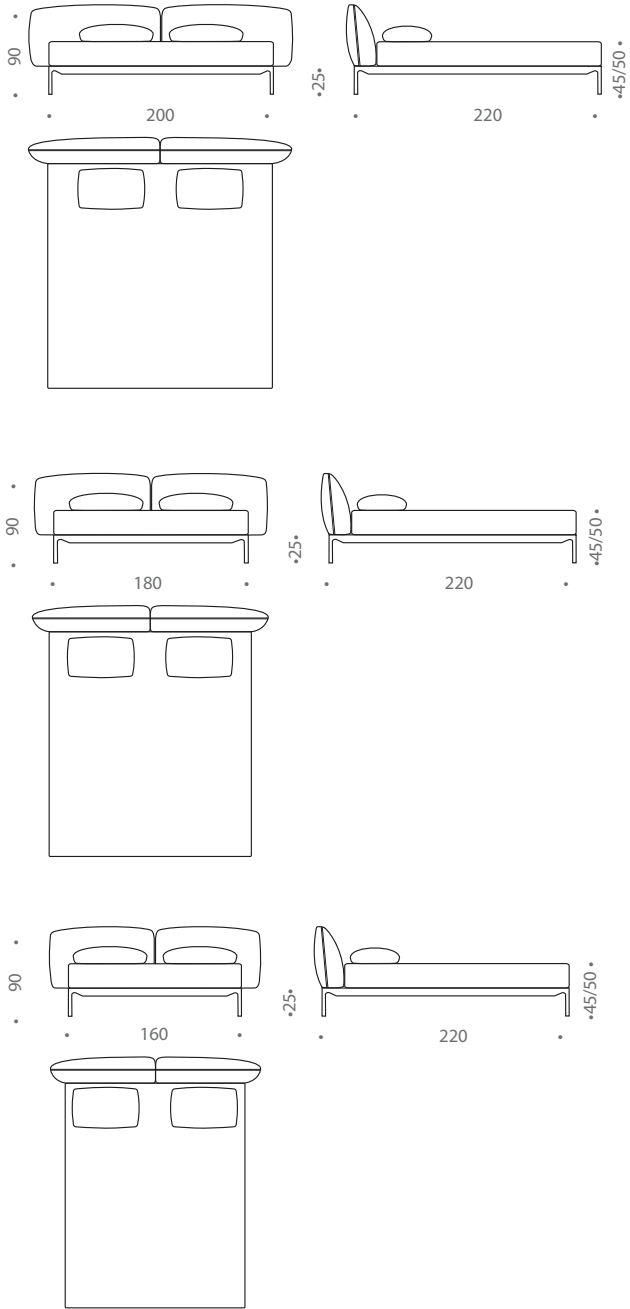
Available in 3 sizes for 160x200, 180x200 and 200x200 mattress.

Bed height variable depending on the type of mattress used:

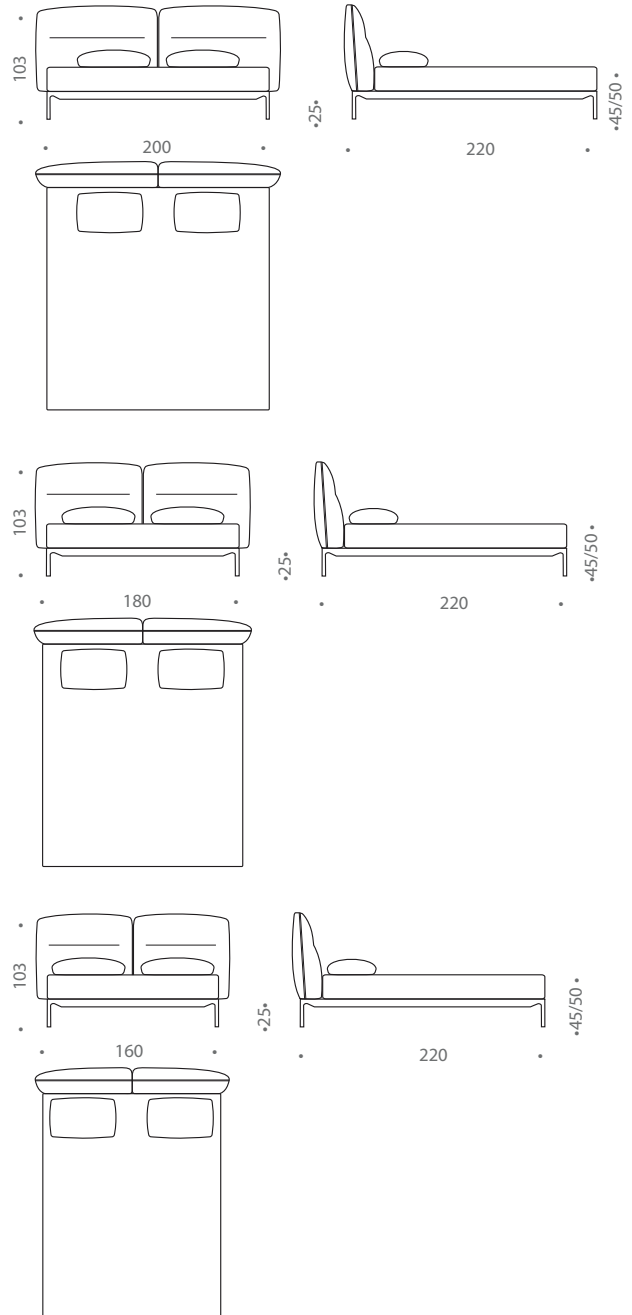
50 cm with use of H25 cm mattress

45 cm with use of H20 cm mattress

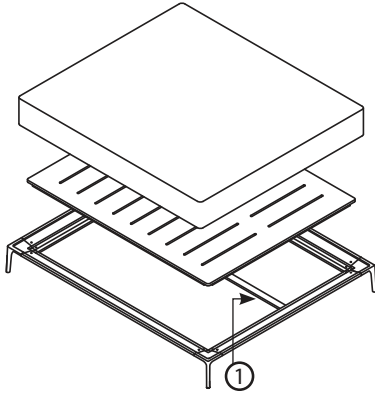
VERSIONS WITH LOW HEADBOARDS



VERSIONS WITH HIGH HEADBOARDS
beds CLIMA, COMFORT, FORMA

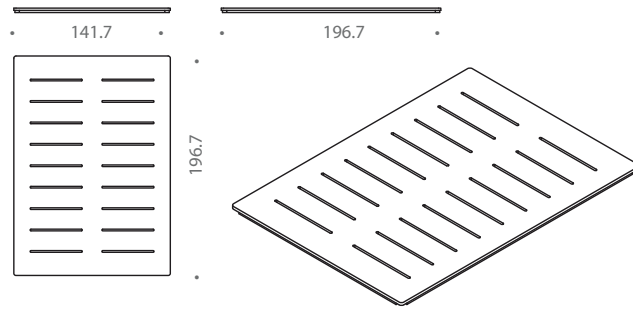


YALE BED 180X200 WITH
ORTHOPAEDIC PLATFORM

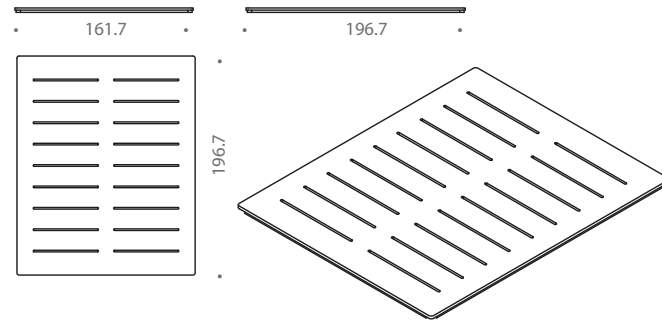


NOTE: the orthopedic wooden base requires a central support bar, supplied together with the base (1).

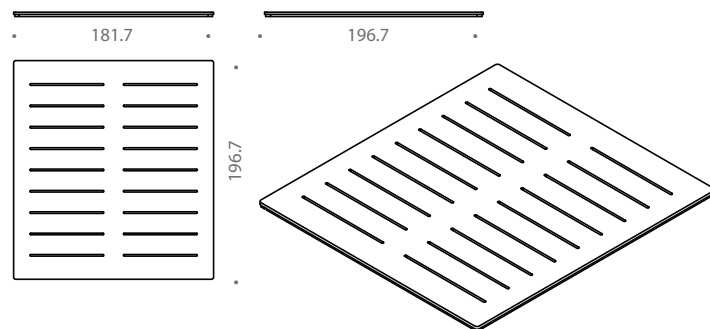
YALE BED ORTHOPAEDIC PLATFORM 160X200



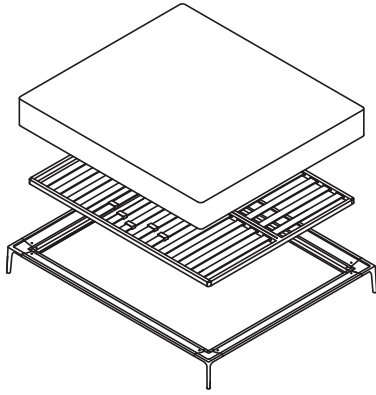
YALE BED ORTHOPAEDIC PLATFORM 180X200



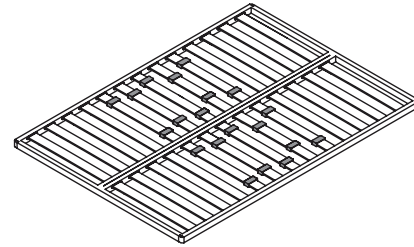
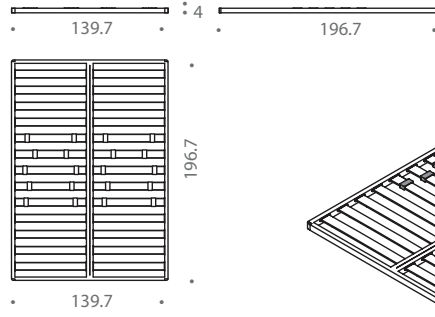
YALE BED ORTHOPAEDIC PLATFORM 200X200



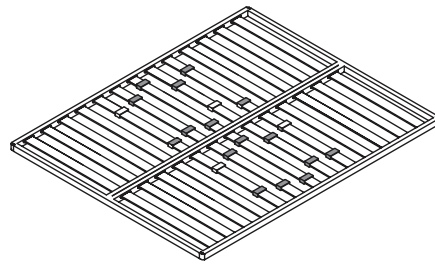
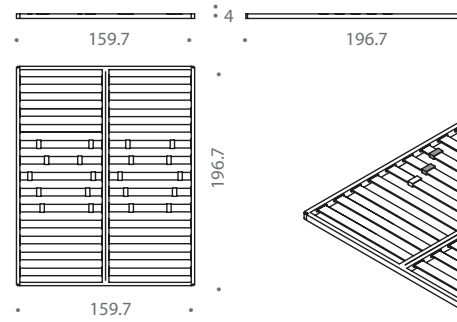
YALE BED 180X200 WITH SLATS



YALE BED SLATS 160X200



YALE BED SLATS 180X200



YALE BED SLATS 200X200

