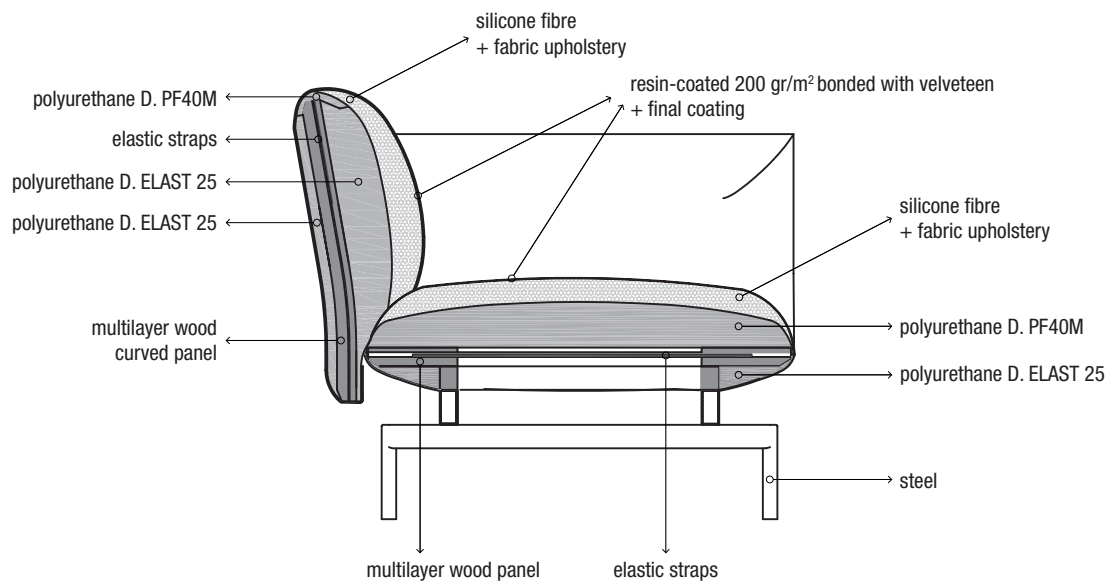
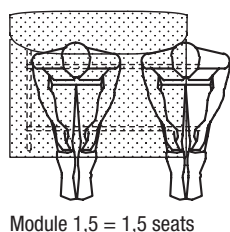
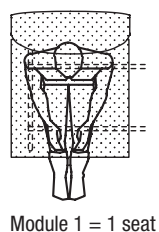
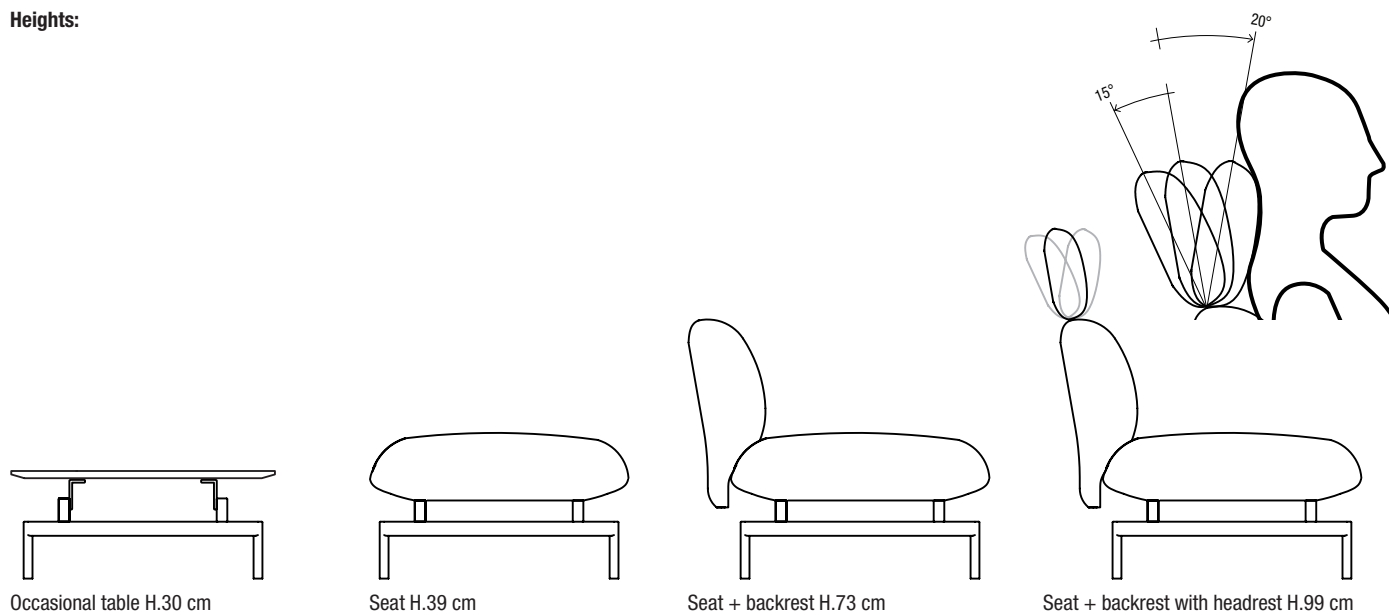


TENSO SOFA SYSTEM

Info

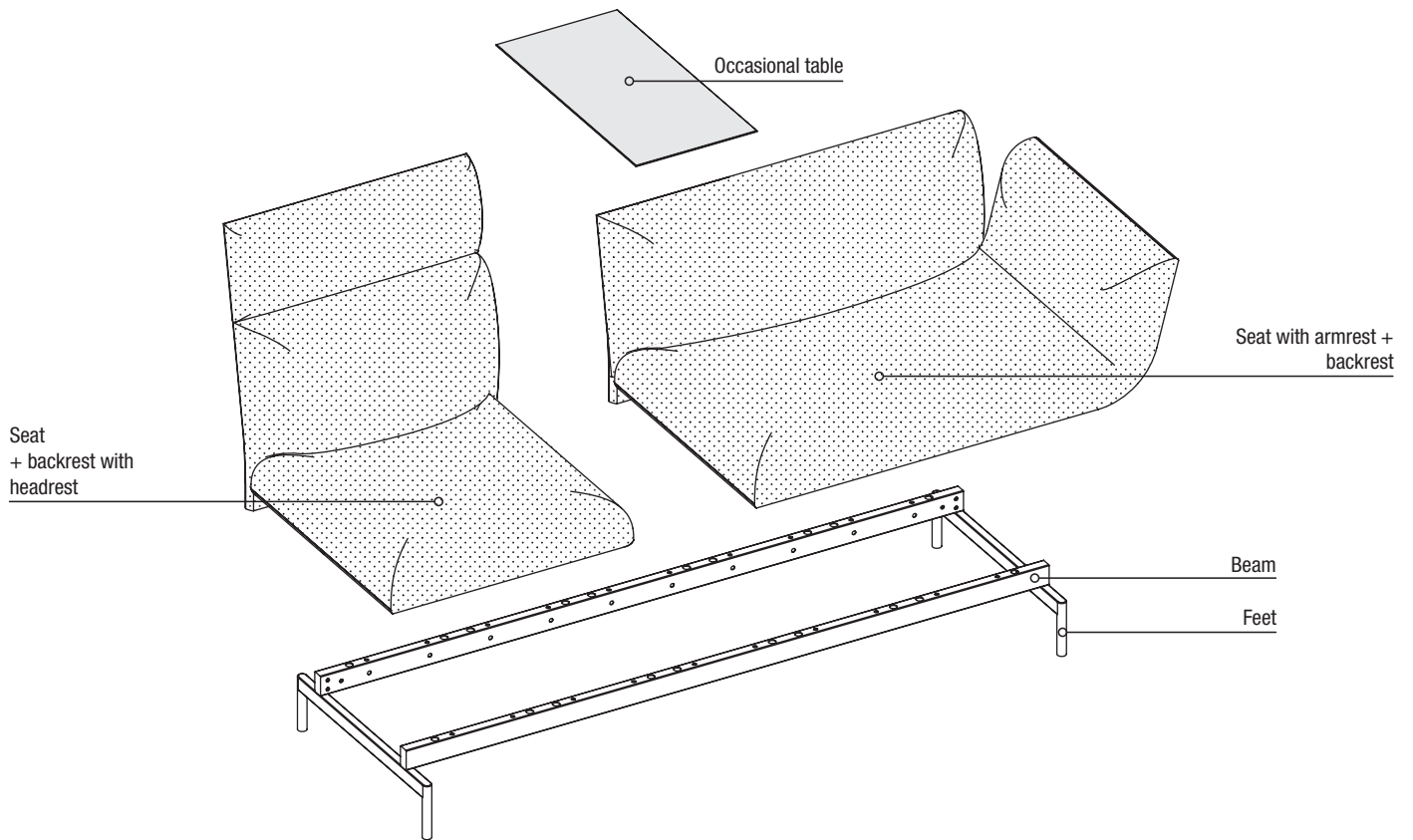


Heights:

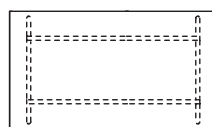
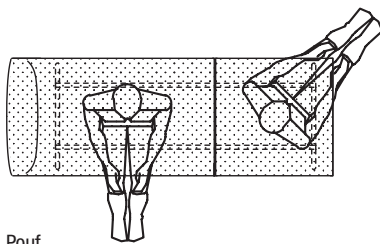
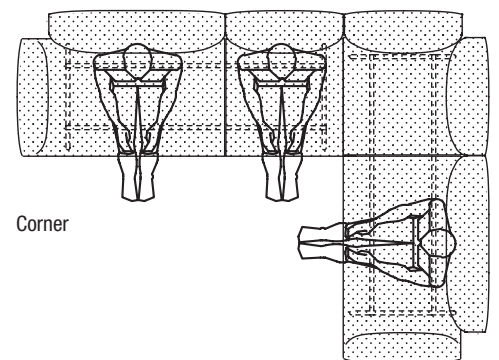
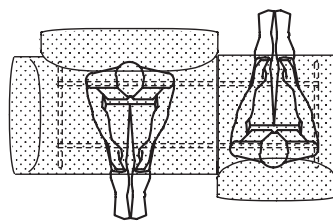
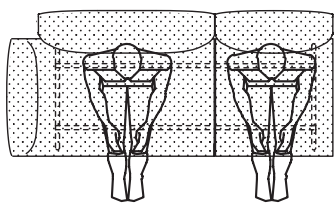


TENSO SOFA SYSTEM

Info



Kind of compositions:



TENSO SOFA SYSTEM

Structure

Finish of feet:

Black lacquered steel (similar to RAL 9004)

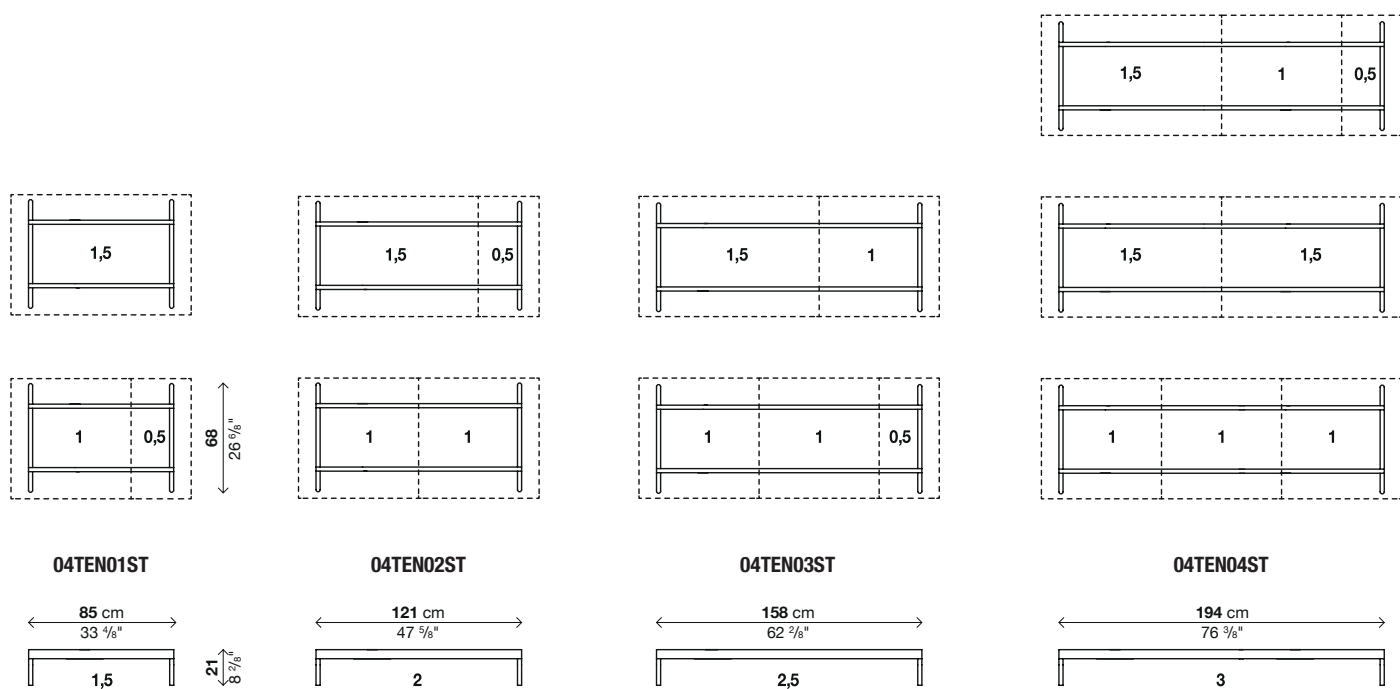
Polished chrome steel

Black chrome steel

Finish of beam:

Black lacquered steel (similar to Ral 9004)

Code	Dimensions (L x D x H)	Feet		pack	m ³	Kg
		Black lacquered	Polished chrome, Black chrome			
04TEN01ST	85 x 68 x 21 (1,5)			1	0,3	10
04TEN02ST	121 x 68 x 21 (2)			1	0,4	13
04TEN03ST	158 x 68 x 21 (2,5)			1	0,5	16
04TEN04ST	194 x 68 x 21 (3)			1	0,65	18,5



TENSO SOFA SYSTEM

Seat

Finish of cover:

- A = Valencia (synthetic leather)
- B = Field 2. COM (Customer fabric)
- C = Merit, COL (Customer leather)
- D = Clara 2, Patio, Regal, Remix 2
- E = Curmi, Hero, Melange Nap
- F = Canvas 2, Scuba, Steelcut trio 3
- G = Divina Melange 3, Hallingdal 65
- H = Twill Weave
- L1 = Coast (corrected grain leather)
- L2 = Elmosoft (semi-aniline leather)
- L3 = Elmotique (aniline leather)

Note:

REMOVABLE COVERS:

Removable upholstery (*): FIELD 2, COM, CLARA 2, MERIT, CURMI, PATIO, REMIX 2, CANVAS 2, HERO, MELANGE NAP, STEELCUT TRIO 3, DIVINA MELANGE 3, HALLINGDAL 65, REGAL, TWILL WEAVE.
Fixed upholstery: VALENCIA, COL, SCUBA, COAST, ELMOSOFT, ELMOTIQUE.

(* The upholstery is TECHNICALLY REMOVABLE but in order to ensure correct adhesion, it must be replaced exclusively by personnel specialised in upholstery.

For info on fabric composition, see inside cover.

For COM/COL orders, see inside cover.

Seat consumption:

73 cm COM: 1,7 ml (H. 140 cm). - COL: 2,4 mq.

110 cm COM: 1,7 ml (H. 140 cm). - COL: 2,8 mq.

Seat with armrest consumption:

92 cm COM: 3,1 ml (H. 140 cm). - COL: 4,4 mq.

129 cm COM: 3,1 ml (H. 140 cm). - COL: 5,2 mq.

Reinforced packaging, see inside cover.

Seat

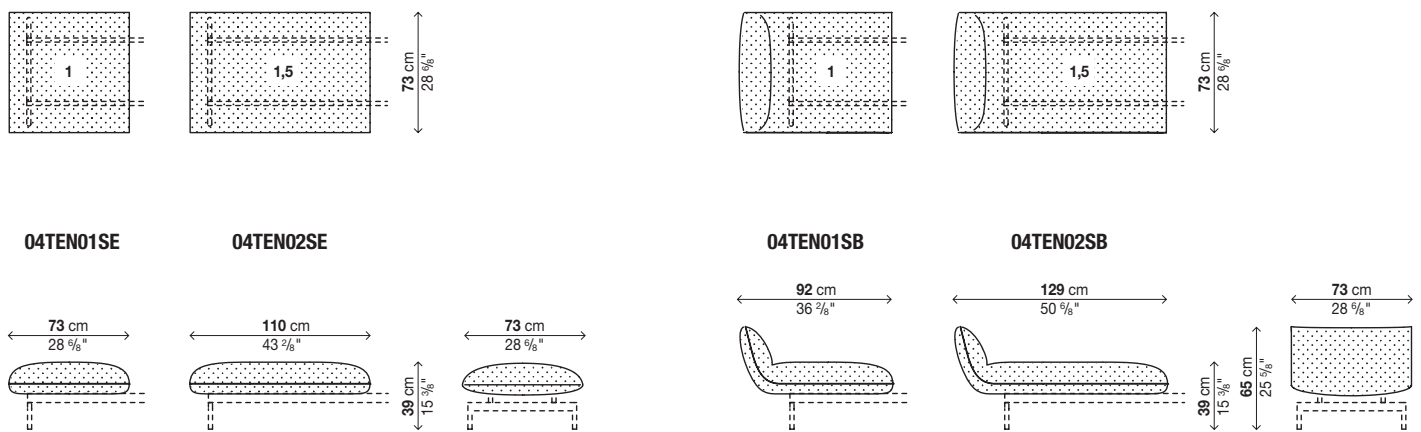
Code	Lenght	Cover											pack	m ³	Kg			
		A	B	C	D	E	F	G	H	L1	L2	L3						
04TEN01SE	73 (1)															1	0,15	11
04TEN02SE	110 (1,5)															1	0,25	16

Seat with armrest

Code	Lenght	Cover											pack	m ³	Kg			
		A	B	C	D	E	F	G	H	L1	L2	L3						
04TEN01SB	92 (1)															1	0,35	16
04TEN02SB	129 (1,5)															1	0,5	21

Optionals

Code	Description	pack	m ³	Kg
04TEN01SE	Fire-retardant	-	-	-
04TEN02SE	Fire-retardant	-	-	-
04TEN01SB	Fire-retardant	-	-	-
04TEN02SB	Fire-retardant	-	-	-



TENSO SOFA SYSTEM

Seat + backrest

Finish of cover:

- A = Valencia (synthetic leather)
- B = Field 2. COM (Customer fabric)
- C = Merit, COL (Customer leather)
- D = Clara 2, Patio, Regal, Remix 2
- E = Curmi, Hero, Melange Nap
- F = Canvas 2, Scuba, Steelcut trio 3
- G = Divina Melange 3, Hallingdal 65
- H = Twill Weave
- L1 = Coast (corrected grain leather)
- L2 = Elmosoft (semi-aniline leather)
- L3 = Elmotique (aniline leather)

Note:

REMOVABLE COVERS:

Removable upholstery (*): FIELD 2, COM, CLARA 2, MERIT, CURMI, PATIO, REMIX 2, CANVAS 2, HERO, MELANGE NAP, STEELCUT TRIO 3, DIVINA MELANGE 3, HALLINGDAL 65, REGAL, TWILL WEAVE.
 Fixed upholstery: VALENCIA, COL, SCUBA, COAST, ELMOSSOFT, ELMOTIQUE.

(* The upholstery is TECHNICALLY REMOVABLE but in order to ensure correct adhesion, it must be replaced exclusively by personnel specialised in upholstery.

For info on fabric composition, see inside cover.

For COM/COL orders, see inside cover.

Seat consumption + backrest:

73 cm COM: 3,5 ml (H. 140 cm). - COL: 4,9 mq.
 110 cm COM: 3,5 ml (H. 140 cm). - COL: 5,8 mq.
 Seat with armrest consumption + backrest:
 92 cm COM: 4,9 ml (H. 140 cm). - COL: 6,9 mq.
 129 cm COM: 4,9 ml (H. 140 cm). - COL: 8,2 mq.

Reinforced packaging, see inside cover.

Seat + backrest

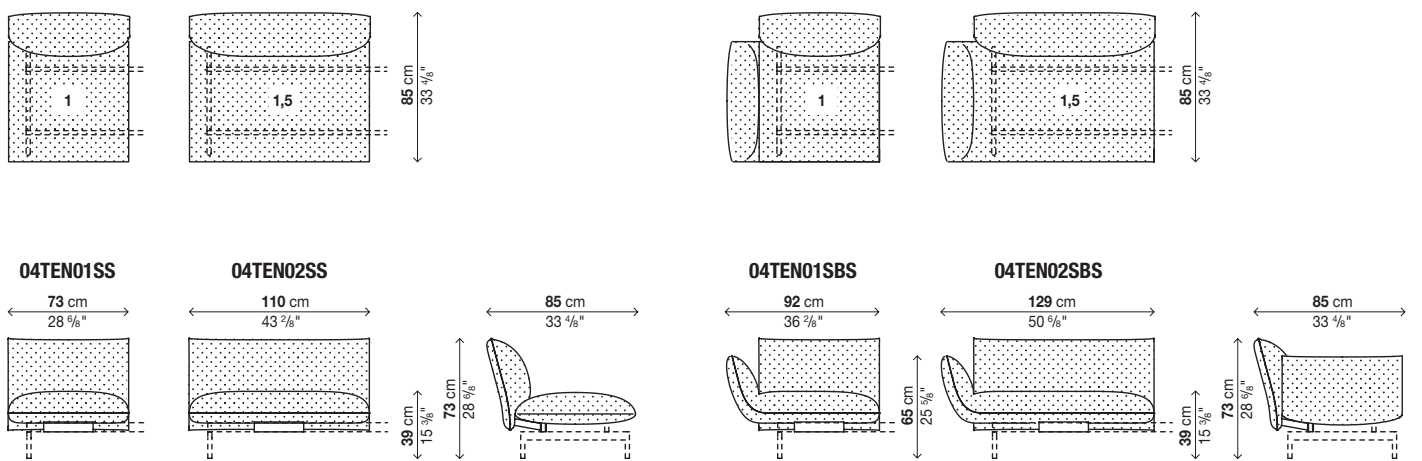
Code	Lenght	Cover											pack	m ²	Kg			
		A	B	C	D	E	F	G	H	L1	L2	L3						
04TEN01SS	73 (1)															2	0,35	18
04TEN02SS	110 (1,5)															2	0,55	25

Seat with armrest + backrest

Code	Lenght	Cover											pack	m ²	Kg			
		A	B	C	D	E	F	G	H	L1	L2	L3						
04TEN01SBS	92 (1)															2	0,35	23
04TEN02SBS	129 (1,5)															2	0,5	30

Optionals

Code	Description	pack	m ²	Kg
04TEN01SS	Fire-retardant	-	-	-
04TEN02SS	Fire-retardant	-	-	-
04TEN01SBS	Fire-retardant	-	-	-
04TEN02SBS	Fire-retardant	-	-	-



TENSO SOFA SYSTEM

Seat + backrest with headrest

Finish of cover:

- A = Valencia (synthetic leather)
- B = Field 2. COM (Customer fabric)
- C = Merit, COL (Customer leather)
- D = Clara 2, Patio, Regal, Remix 2
- E = Curmi, Hero, Melange Nap
- F = Canvas 2, Scuba, Steelcut trio 3
- G = Divina Melange 3, Hallingdal 65
- H = Twill Weave
- L1 = Coast (corrected grain leather)
- L2 = Elmosoft (semi-aniline leather)
- L3 = Elmotique (aniline leather)

Note:

REMOVABLE COVERS:

Removable upholstery (*): FIELD 2, COM, CLARA 2, MERIT, CURMI, PATIO, REMIX 2, CANVAS 2, HERO, MELANGE NAP, STEELCUT TRIO 3, DIVINA MELANGE 3, HALLINGDAL 65, REGAL, TWILL WEAVE.

Fixed upholstery: VALENCIA, COL, SCUBA, COAST, ELMOSOFT, ELMOTIQUE.

(* The upholstery is TECHNICALLY REMOVABLE but in order to ensure correct adhesion, it must be replaced exclusively by personnel specialised in upholstery.

For info on fabric composition, see inside cover.

For COM/COL orders, see inside cover.

Seat consumption + backrest with headrest:

73 cm COM: 3,7 ml (H. 140 cm). - COL: 5,8 mq.

110 cm COM: 3,7 ml (H. 140 cm). - COL: 6,8 mq.

Seat with armrest consumption + backrest with headrest:

92 cm COM: 5,1 ml (H. 140 cm). - COL: 7,8 mq.

129 cm COM: 5,1 ml (H. 140 cm). - COL: 9,2 mq.

Reinforced packaging, see inside cover.

Seat + backrest with headrest

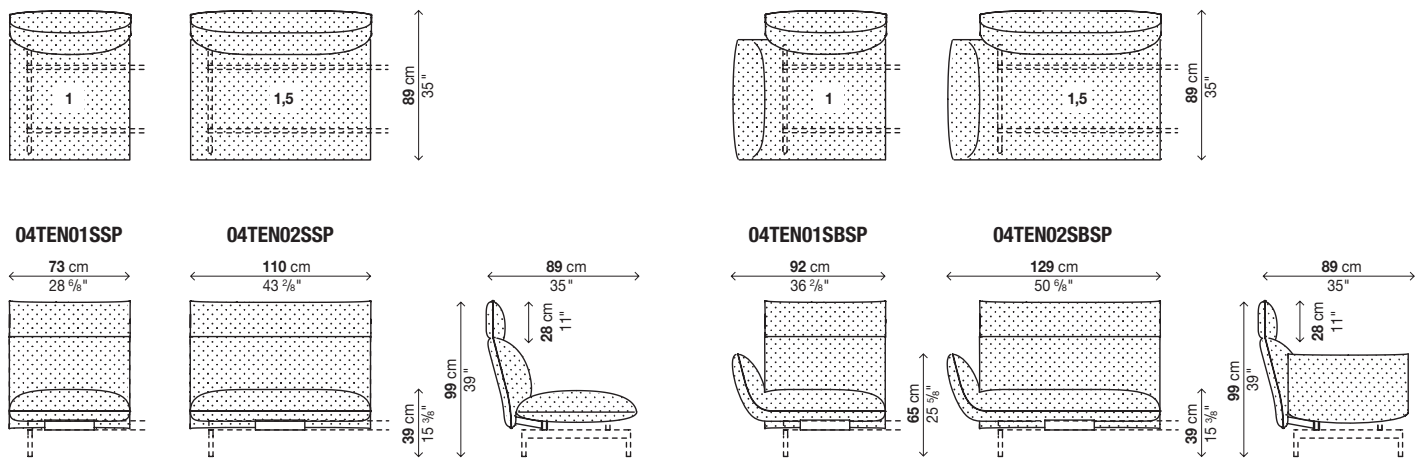
Code	Lenght	Cover											pack	m ³	Kg			
		A	B	C	D	E	F	G	H	L1	L2	L3						
04TEN01SSP	73 (1)															2	0,4	21,5
04TEN02SSP	110 (1,5)															2	0,65	29,5

Seat with armrest + backrest with headrest

Code	Lenght	Cover											pack	m ³	Kg			
		A	B	C	D	E	F	G	H	L1	L2	L3						
04TEN01SBSP	92 (1)															2	0,6	26,5
04TEN02SBSP	129 (1,5)															2	0,9	34,5

Optionals

Code	Description	pack	m ³	Kg
04TEN01SSP	Fire-retardant	-	-	-
04TEN02SSP	Fire-retardant	-	-	-
04TEN01SBSP	Fire-retardant	-	-	-
04TEN02SBSP	Fire-retardant	-	-	-



TENSO SOFA SYSTEM

Lateral backrest

Finish of cover:

- A = Valencia (synthetic leather)
- B = Field 2. COM (Customer fabric)
- C = Merit, COL (Customer leather)
- D = Clara 2, Patio, Regal, Remix 2
- E = Curmi, Hero, Melange Nap
- F = Canvas 2, Scuba, Steelcut trio 3
- G = Divina Melange 3, Hallingdal 65
- H = Twill Weave
- L1 = Coast (corrected grain leather)
- L2 = Elmosoft (semi-aniline leather)
- L3 = Elmotique (aniline leather)

Note:

REMOVABLE COVERS:

Removable upholstery (*): FIELD 2, COM, CLARA 2, MERIT, CURMI, PATIO, REMIX 2, CANVAS 2, HERO, MELANGE NAP, STEELCUT TRIO 3, DIVINA MELANGE 3, HALLINGDAL 65, REGAL, TWILL WEAVE.

Fixed upholstery: VALENCIA, COL, SCUBA, COAST, ELMOSOFT, ELMOTIQUE.

(* The upholstery is TECHNICALLY REMOVABLE but in order to ensure correct adhesion, it must be replaced exclusively by personnel specialised in upholstery.

For info on fabric composition, see inside cover.

For COM/COL orders, see inside cover.

Lateral backrest consumption:

COM: 1,5 ml (H. 140 cm).

COL: 2,5 mq.

Backrest with headrest consumption:

COM: 2 ml (H. 140 cm).

COL: 3,4 mq.

Reinforced packaging, see inside cover.

Lateral backrest

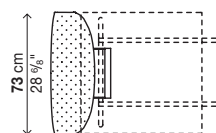
Code	Cover											pack	m ²	Kg			
	A	B	C	D	E	F	G	H	L1	L2	L3						
04TEN01SL															1	0,2	8,5

Lateral backrest with headrest

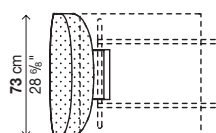
Code	Cover											pack	m ²	Kg			
	A	B	C	D	E	F	G	H	L1	L2	L3						
04TEN02SLP															1	0,3	12,5

Optionals

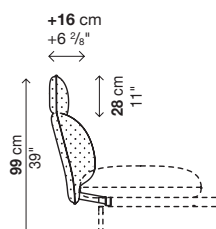
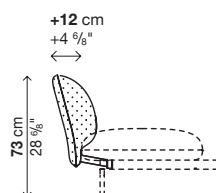
Code	Description	pack	m ²	Kg
04TEN01SL	Fire-retardant	-	-	-
04TEN01SLP	Fire-retardant	-	-	-



04TEN01SL



04TEN01SLP



TENSO SOFA SYSTEM

Occasional table

Finish of top:

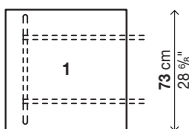
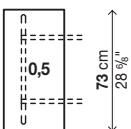
Fenix-NTM® Ingo black 0720 (10 mm thick)

Fenix-NTM® coloured edge (Kos white 0032, London grey 0718) (10 mm thick)

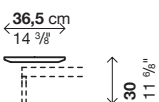
"Pietra di Fossena" stone (20 mm thick)

Occasional table top

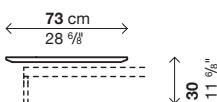
Code	Dimensions (L x D)	Top		pack	m ³	Kg
		Fenix-NTM®	"Pietra di Fossena" stone			
04TEN01PI	36,5 x 73			1	0,08	20
04TEN02PI	73 x 73			1	0,12	40



04TEN01PI



04TEN02PI



TENSO SOFA SYSTEM

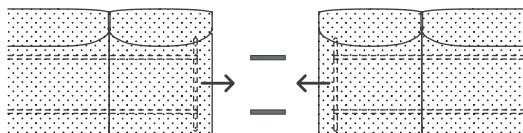
Joining elements

Finish:

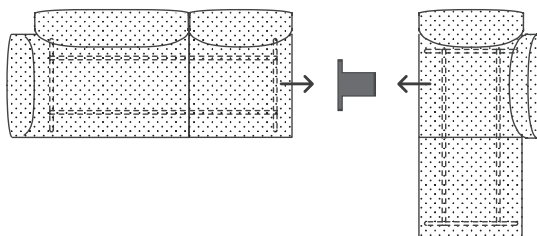
Black lacquered steel

Code	Description	pack	m ³	Kg
02AGGTEN01	Linear	2	0,01	0,8
02AGGTEN02	Corner	2	0,01	2,5

02AGGTEN01



02AGGTEN02



TENSO SOFA SYSTEM

Universal removable cushions

Finish of cover:

- A = Valencia (synthetic leather)
- B = Field 2. COM (Customer fabric)
- C = Merit, COL (Customer leather)
- D = Clara 2, Patio, Regal, Remix 2
- E = Curmi, Hero, Melange Nap
- F = Canvas 2, Scuba, Steelcut trio 3
- G = Divina Melange 3, Hallingdal 65
- H = Twill Weave
- L1 = Coast (corrected grain leather)
- L2 = Elmosoft (semi-aniline leather)
- L3 = Elmotique (aniline leather)

Note:

REMOVABLE COVERS:

Removable upholstery for the fabric and leather versions.

For info on fabric composition, see inside cover.

For COM/COL orders, see inside cover.

45 x 45 cushion consumption:

COM: 0,6 ml (H. 140 cm).

COL: 0,8 mq.

65 x 55 cushion consumption:

COM: 0,7 ml (H. 140 cm).

COL: 1 mq.

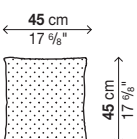
75 x 40 cushion consumption:

COM: 1 ml (H. 140 cm).

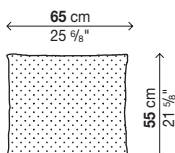
COL: 1,3 mq.

Code	Dimensions	Cover											pack	m ²	Kg			
		A	B	C	D	E	F	G	H	L1	L2	L3						
20CUS01	Cushion 45 x 45															1	0,02	1
20CUS02	Cushion 65 x 55															1	0,02	1
20CUS03	Cushion 75 x 40															1	0,02	1

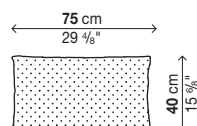
20CUS01



20CUS02



20CUS03



TENSO SOFA SYSTEM

Examples of composition - 2 seater sofa

Finish of feet:

Black lacquered steel (similar to RAL 9004)
 Polished chrome steel
 Black chrome steel

Finish of cover:

A = Valencia (synthetic leather)
 B = Field 2, COM (Customer fabric)
 C = Merit, COL (Customer leather)
 D = Clara 2, Patio, Regal, Remix 2
 E = Curmi, Hero, Melange Nap
 F = Canvas 2, Scuba, Steelcut trio 3
 G = Divina Melange 3, Hallingdal 65
 H = Twill Weave
 L1 = Coast (corrected grain leather)
 L2 = Elmosoft (semi-aniline leather)
 L3 = Elmotique (aniline leather)

Note:

REMOVABLE COVERS:

Removable upholstery (*): FIELD 2, COM, CLARA 2, MERIT, CURMI, PATIO, REMIX 2, CANVAS 2, HERO, MELANGE NAP, STEELCUT TRIO 3, DIVINA MELANGE 3, HALLINGDAL 65, REGAL, TWILL WEAVE.
 Fixed upholstery: VALENCIA, COL, SCUBA, COAST, ELMOSOFT, ELMOTIQUE.

(*) The upholstery is TECHNICALLY REMOVABLE but in order to ensure correct adhesion, it must be replaced exclusively by personnel specialised in upholstery.

For info on fabric composition, see inside cover.

For COM/COL orders, see inside cover.

Backrests without headrest consumption:

COM: 9,8 ml (H. 140 cm).

COL: 13,8 mq.

Backrests with headrest consumption:

COM: 10,2 ml (H. 140 cm).

COL: 15,6 mq.

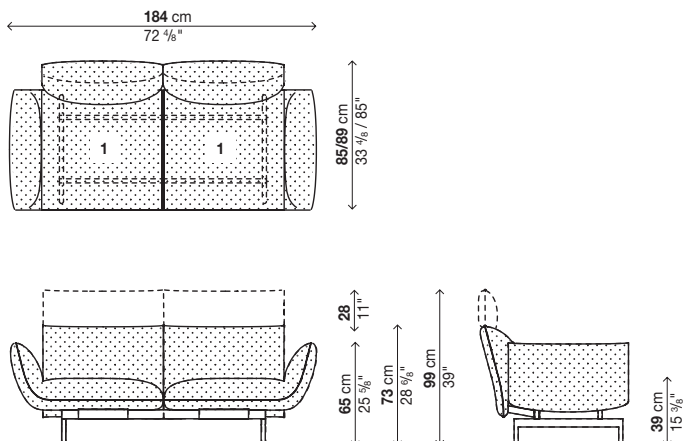
Reinforced packaging, see inside cover.

Backrests without headrest

Code	Feet	Cover											pack	m ²	Kg		
		A	B	C	D	E	F	G	H	L1	L2	L3					
T1	Black lacquered																
	Polished chrome, Black chrome																5 1,5 59

Backrests with headrest

Code	Feet	Cover											pack	m ²	Kg		
		A	B	C	D	E	F	G	H	L1	L2	L3					
T2	Black lacquered																
	Polished chrome, Black chrome																5 1,6 66



TENSO SOFA SYSTEM

Examples of composition - 3 seater sofa

Finish of feet:

Black lacquered steel (similar to RAL 9004)
Polished chrome steel
Black chrome steel

Finish of cover:

A = Valencia (synthetic leather)
B = Field 2, COM (Customer fabric)
C = Merit, COL (Customer leather)
D = Clara 2, Patio, Regal, Remix 2
E = Curmi, Hero, Melange Nap
F = Canvas 2, Scuba, Steelcut trio 3
G = Divina Melange 3, Hallingdal 65
H = Twill Weave
L1 = Coast (corrected grain leather)
L2 = Elmosoft (semi-aniline leather)
L3 = Elmotique (aniline leather)

Note:

REMOVABLE COVERS:

Removable upholstery (*): FIELD 2, COM, CLARA 2, MERIT, CURMI, PATIO, REMIX 2, CANVAS 2, HERO, MELANGE NAP, STEELCUT TRIO 3, DIVINA MELANGE 3, HALLINGDAL 65, REGAL, TWILL WEAVE.
Fixed upholstery: VALENCIA, COL, SCUBA, COAST, ELMOSOFT, ELMOTIQUE.

(* The upholstery is TECHNICALLY REMOVABLE but in order to ensure correct adhesion, it must be replaced exclusively by personnel specialised in upholstery.

For info on fabric composition, see inside cover.

For COM/COL orders, see inside cover.

Backrests without headrest consumption:

COM: 9,8 ml (H. 140 cm).

COL: 16,4 mq.

Backrests with headrest consumption:

COM: 10,2 ml (H. 140 cm).

COL: 18,4 mq.

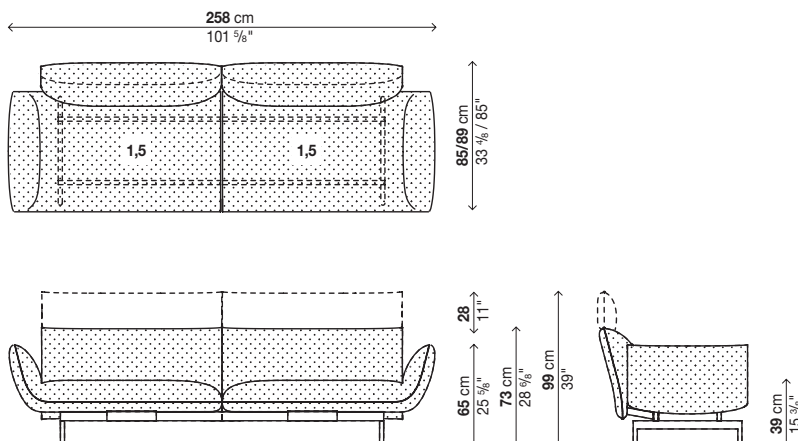
Reinforced packaging, see inside cover.

Backrests without headrest

Code	Feet	Cover											pack	m ³	Kg		
		A	B	C	D	E	F	G	H	L1	L2	L3					
T3	Black lacquered																
	Polished chrome, Black chrome																5 2,2 79

Backrests with headrest

Code	Feet	Cover											pack	m ³	Kg		
		A	B	C	D	E	F	G	H	L1	L2	L3					
T4	Black lacquered																
	Polished chrome, Black chrome																5 2,2 87,5



TENSO SOFA SYSTEM

Examples of composition - Sofa with chaise longue rh/lh

Finish of feet:

Black lacquered steel (similar to RAL 9004)
 Polished chrome steel
 Black chrome steel

Finish of cover:

A = Valencia (synthetic leather)
 B = Field 2, COM (Customer fabric)
 C = Merit, COL (Customer leather)
 D = Clara 2, Patio, Regal, Remix 2
 E = Curmi, Hero, Melange Nap
 F = Canvas 2, Scuba, Steelcut trio 3
 G = Divina Melange 3, Hallingdal 65
 H = Twill Weave
 L1 = Coast (corrected grain leather)
 L2 = Elmosoft (semi-aniline leather)
 L3 = Elmotique (aniline leather)

Note:

REMOVABLE COVERS:

Removable upholstery (*): FIELD 2, COM, CLARA 2, MERIT, CURMI, PATIO, REMIX 2, CANVAS 2, HERO, MELANGE NAP, STEELCUT TRIO 3, DIVINA MELANGE 3, HALLINGDAL 65, REGAL, TWILL WEAVE.
 Fixed upholstery: VALENCIA, COL, SCUBA, COAST, ELMOSOFT, ELMOTIQUE.

(*) The upholstery is TECHNICALLY REMOVABLE but in order to ensure correct adhesion, it must be replaced exclusively by personnel specialised in upholstery.

For info on fabric composition, see inside cover.

For COM/COL orders, see inside cover.

Backrests without headrest consumption:

COM: 14,7 ml (H. 140 cm).

COL: 22,4 mq.

Backrests with headrest consumption:

COM: 15,6 ml (H. 140 cm).

COL: 25,2 mq.

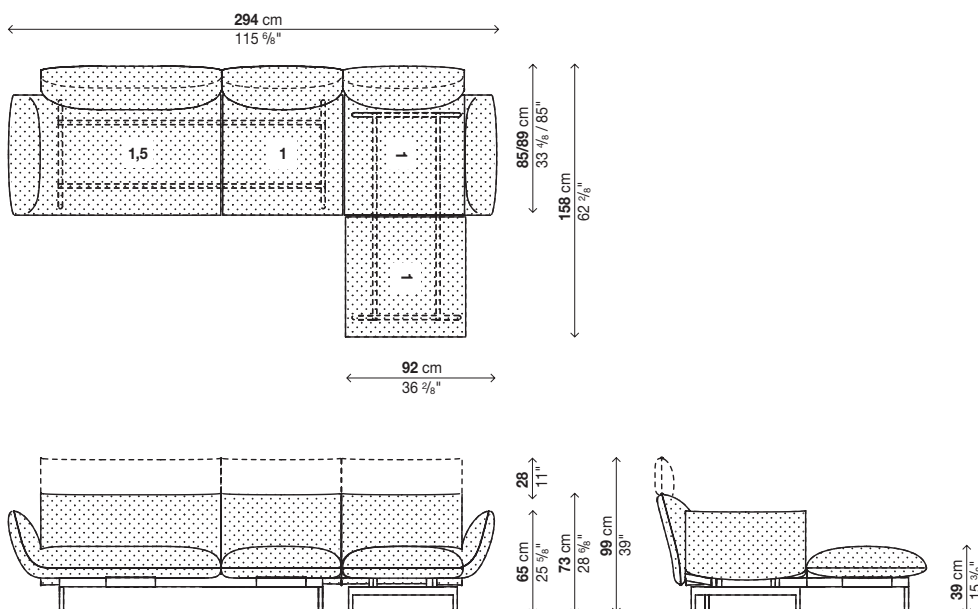
Reinforced packaging, see inside cover.

Backrests without headrest

Code	Feet	Cover											pack	m ²	Kg		
		A	B	C	D	E	F	G	H	L1	L2	L3					
T5	Black lacquered																
	Polished chrome, Black chrome																10 2,75 115

Backrests with headrest

Code	Feet	Cover											pack	m ²	Kg		
		A	B	C	D	E	F	G	H	L1	L2	L3					
T6	Black lacquered																
	Polished chrome, Black chrome																10 3 127



TENSO SOFA SYSTEM

Examples of composition - Corner sofa rh/lh

Finish of feet:

Black lacquered steel (similar to RAL 9004)

Polished chrome steel

Black chrome steel

Finish of cover:

A = Valencia (synthetic leather)

B = Field 2, COM (Customer fabric)

C = Merit, COL (Customer leather)

D = Clara 2, Patio, Regal, Remix 2

E = Curmi, Hero, Melange Nap

F = Canvas 2, Scuba, Steelcut trio 3

G = Divina Melange 3, Hallingdal 65

H = Twill Weave

L1 = Coast (corrected grain leather)

L2 = Elmosoft (semi-aniline leather)

Finish of top:

Fenix-NTM® Ingo black 0720 (10 mm thick)

Fenix-NTM® coloured edge (Kos white 0032, London grey 0718) (10 mm thick)

Note:

REMOVABLE COVERS:

Removable upholstery (*): FIELD 2, COM, CLARA 2, MERIT, CURMI, PATIO, REMIX 2, CANVAS 2, HERO, MELANGE NAP, STEELCUT TRIO 3, DIVINA MELANGE 3, HALLINGDAL 65, REGAL, TWILL WEAVE.
Fixed upholstery: VALENCIA, COL, SCUBA, COAST, ELMOSOFT, ELMOTIQUE.

(*) The upholstery is TECHNICALLY REMOVABLE but in order to ensure correct adhesion, it must be replaced exclusively by personnel specialised in upholstery.

For info on fabric composition, see inside cover.

For COM/COL orders, see inside cover.

Backrests without headrest consumption:

COM: 11,9 ml (H. 140 cm).

COL: 18,9 mq.

Backrests with headrest consumption:

COM: 12,5 ml (H. 140 cm).

COL: 21,8 mq.

Important: the composition includes a Fenix-NTM® tabletop for the occasional table. For the "Pietra di Fossena" tabletop, there is a surcharge of - €.

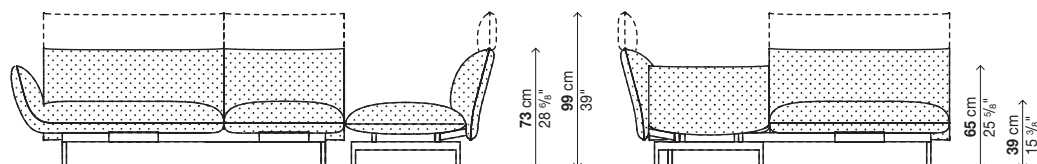
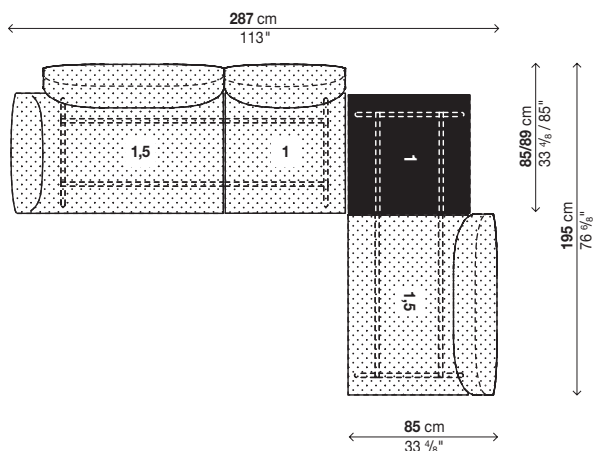
Reinforced packaging, see inside cover.

Backrests without headrest

Code	Feet	Cover											pack	m ³	Kg				
		A	B	C	D	E	F	G	H	L1	L2	L3							
T7	Black lacquered																10	2,83	118
	Polished chrome, Black chrome																		

Backrests with headrest

Code	Feet	Cover											pack	m ³	Kg				
		A	B	C	D	E	F	G	H	L1	L2	L3							
T8	Black lacquered																10	3,08	131
	Polished chrome, Black chrome																		



TENSO SOFA SYSTEM

Examples of composition - Linear sofa rh/lh

Finish of feet:

Black lacquered steel (similar to RAL 9004)
 Polished chrome steel
 Black chrome steel

Finish of cover:

A = Valencia (synthetic leather)
 B = Field 2, COM (Customer fabric)
 C = Merit, COL (Customer leather)
 D = Clara 2, Patio, Regal, Remix 2
 E = Curmi, Hero, Melange Nap
 F = Canvas 2, Scuba, Steelcut trio 3
 G = Divina Melange 3, Hallingdal 65
 H = Twill Weave
 L1 = Coast (corrected grain leather)
 L2 = Elmosoft (semi-aniline leather)

Finish of top:

Fenix-NTM® Ingo black 0720 (10 mm thick)
 Fenix-NTM® coloured edge (Kos white 0032, London grey 0718) (10 mm thick)

Note:

REMOVABLE COVERS:

Removable upholstery (*): FIELD 2, COM, CLARA 2, MERIT, CURMI, PATIO, REMIX 2, CANVAS 2, HERO, MELANGE NAP, STEELCUT TRIO 3, DIVINA MELANGE 3, HALLINGDAL 65, REGAL, TWILL WEAVE.
 Fixed upholstery: VALENCIA, COL, SCUBA, COAST, ELMOSOFT, ELMOTIQUE.

(* The upholstery is TECHNICALLY REMOVABLE but in order to ensure correct adhesion, it must be replaced exclusively by personnel specialised in upholstery.

For info on fabric composition, see inside cover.

For COM/COL orders, see inside cover.

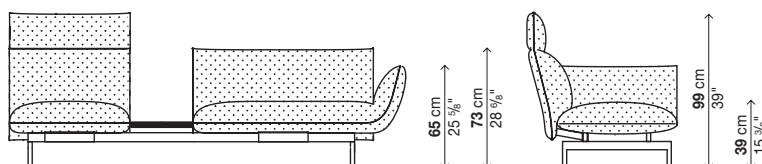
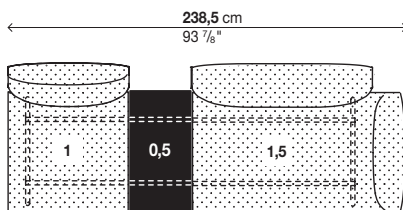
COM consumption: 8,6 ml (H. 140 cm).

COL consumption: 14 mq.

Important: the composition includes a Fenix-NTM® tabletop for the occasional table. For the "Pietra di Fossena" tabletop, there is a surcharge of - €.

Reinforced packaging, see inside cover.

Code	Feet	Cover											pack	m³	Kg		
		A	B	C	D	E	F	G	H	L1	L2	L3					
T9	Black lacquered																
	Polished chrome, Black chrome																6 1,88 90



TENSO SOFA SYSTEM

Examples of composition - Lounge chair rh/lh

Finish of feet:

Black lacquered steel (similar to RAL 9004)
Polished chrome steel
Black chrome steel

Finish of cover:

A = Valencia (synthetic leather)
B = Field 2, COM (Customer fabric)
C = Merit, COL (Customer leather)
D = Clara 2, Patio, Regal, Remix 2
E = Curmi, Hero, Melange Nap
F = Canvas 2, Scuba, Steelcut trio 3
G = Divina Melange 3, Hallingdal 65
H = Twill Weave
L1 = Coast (corrected grain leather)
L2 = Elmosoft (semi-aniline leather)

Finish of top:

Fenix-NTM® Ingo black 0720 (10 mm thick)
Fenix-NTM® coloured edge (Kos white 0032, London grey 0718) (10 mm thick)

Note:

REMOVABLE COVERS:

Removable upholstery (*): FIELD 2, COM, CLARA 2, MERIT, CURMI, PATIO, REMIX 2, CANVAS 2, HERO, MELANGE NAP, STEELCUT TRIO 3, DIVINA MELANGE 3, HALLINGDAL 65, REGAL, TWILL WEAVE.
Fixed upholstery: VALENCIA, COL, SCUBA, COAST, ELMOSOFT, ELMOTIQUE.

(* The upholstery is TECHNICALLY REMOVABLE but in order to ensure correct adhesion, it must be replaced exclusively by personnel specialised in upholstery.

For info on fabric composition, see inside cover.

For COM/COL orders, see inside cover.

Backrests without headrest consumption:

COM: 3,5 ml (H. 140 cm).

COL: 4,9 mq.

Backrests with headrest consumption:

COM: 3,7 ml (H. 140 cm).

COL: 5,8 mq.

Important: the composition includes a Fenix-NTM® tabletop for the occasional table. For the "Pietra di Fossena" tabletop, there is a surcharge of - €.

Reinforced packaging, see inside cover.

Backrests without headrest

Code	Feet	Cover											pack	m ³	Kg			
		A	B	C	D	E	F	G	H	L1	L2	L3						
T10	Black lacquered															4	0,73	48
	Polished chrome, Black chrome																	

Backrests with headrest

Code	Feet	Cover											pack	m ³	Kg			
		A	B	C	D	E	F	G	H	L1	L2	L3						
T11	Black lacquered															4	0,78	51,5
	Polished chrome, Black chrome																	

