

SHARKY

Wooden base

Base finish:

Solid beech
Solid European oak
Walnut stained solid oak
Lacquered solid wood (in the same colours as the polyurethane)

Body finish:

White polyurethane (P001)
Black polyurethane (P003)
Beige polyurethane (P004)
Terracotta brown polyurethane (P006)
Olive green polyurethane (P008)
Ruby red polyurethane (P010)
London grey polyurethane (L011)
Dust blue polyurethane (P012)

Sharky cushion cover finish:

A = Valencia (synthetic leather), COM (Customer fabric)
B = Field 2
C = Clara 2, Merit
D = Curmi, Patio, Remix 2
E = Canvas 2, Hero, Melange Nap
F = Regal, Scuba, Steelcut Trio 3
G = Divina Melange 3, Hallingdal 65
H = Twill Weave

Lips cushion cover finish:

A = COM (Customer fabric)
B = Field 2

Note:

For info on fabric composition, see inside cover.

For COM orders see inside cover.

FEET:

Standard in hard plastic. On request we supply feet with felt insert for wooden floors.

Sharky cushion consumption: 0,55 ml (H. 140 cm).

Lips cushion consumption: 0,5 ml (H. 140 cm).

Reinforced packaging, see inside cover.

Code	Base	Body	
		pack	m ³ Kg
		Polyurethane	
05SHA01	Beech		
	European oak, Walnut stained oak, Lacquered wood	1	0,38

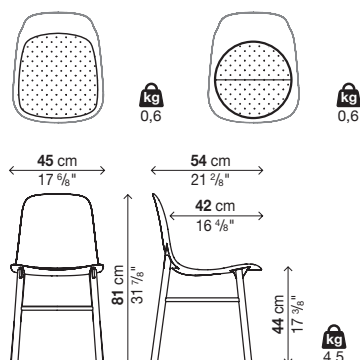
2 chairs in each package (Kg. 11,5) / 1 chair (Kg. 7)

Optionals

Code	Description	Cover											pack	m ³	Kg	
		A	B	C	D	E	F	G	H	L1	L2	L3				
20SHA01	Sharky removable cushion (not removable cover)										-	-	-	1	0,02	1
20LIR01	LIPS-R removable cushion (not removable cover)			-	-	-	-	-	-	-	-	-	-	1	0,01	1
02PIE07	Set of felt feet													-	-	-

SHARKY (20SHA01)

LIPS-R (20LIR01)



SHARKY

Wooden base - Front upholstered (not removable)

Base finish:

Solid beech
Solid European oak
Walnut stained solid oak
Lacquered solid wood (in the same colours as the polyurethane)

Body finish:

White polyurethane (P001)
Black polyurethane (P003)
Beige polyurethane (P004)
Terracotta polyurethane (P006)
Olive green polyurethane (P008)
Ruby red polyurethane (P010)
Londron grey polyurethane (LO11)
Dust blue polyurethane (P012)

Finish of cover:

A = Valencia (synthetic leather)
B = Field 2, COM (Customer fabric)
C = Merit, COL (Customer leather)
D = Clara 2, Patio, Regal, Remix 2
E = Curmi, Hero, Melange Nap
F = Canvas 2, Scuba, Steelcut trio 3
G = Divina Melange 3, Hallingdal 65
H = Twill Weave
L1 = Coast (corrected grain leather)
L2 = Elmosoft (semi-aniline leather)
L3 = Elmotique (aniline leather)

Note:

For info on fabric composition, see inside cover.

For COM/COL orders, see inside cover.

FEET:

Standard in hard plastic. On request we supply feet with felt insert for wooden floors.

COM consumption: 0,4 ml (H. 140 cm).

COL consumption: 0,8 mq.

Reinforced packaging, see inside cover.

Code	Base	Body	Front cover											pack	m ³	Kg		
			A	B	C	D	E	F	G	H	L1	L2	L3					
05SHA11	Beech	Polyurethane															1	0,38
	European oak, Walnut stained oak, Lacquered wood	Polyurethane																

2 chairs in each package (Kg. 15,5) / 1 chair (Kg. 9)

Optionals

Code	Description	pack	m ³	Kg
02PIE07	Set of felt feet	-	-	-

