

# SEELA

Antti Kotilainen | 2018

When they communicate, it is the best of all possible worlds. Man and nature together, one observes, the other suggests shapes and materials. This extraordinary encounter has led to a lesson in Finnish design. The encounter between Antti Kotilainen and Lapalma has resulted in SEELA, a chair that expresses beauty, with spontaneous contact between wood, polypropylene and steel. The sinuous shell on light bases has an integrated seamless seat-pad. Countless variations. Much serenity.



# SEELA

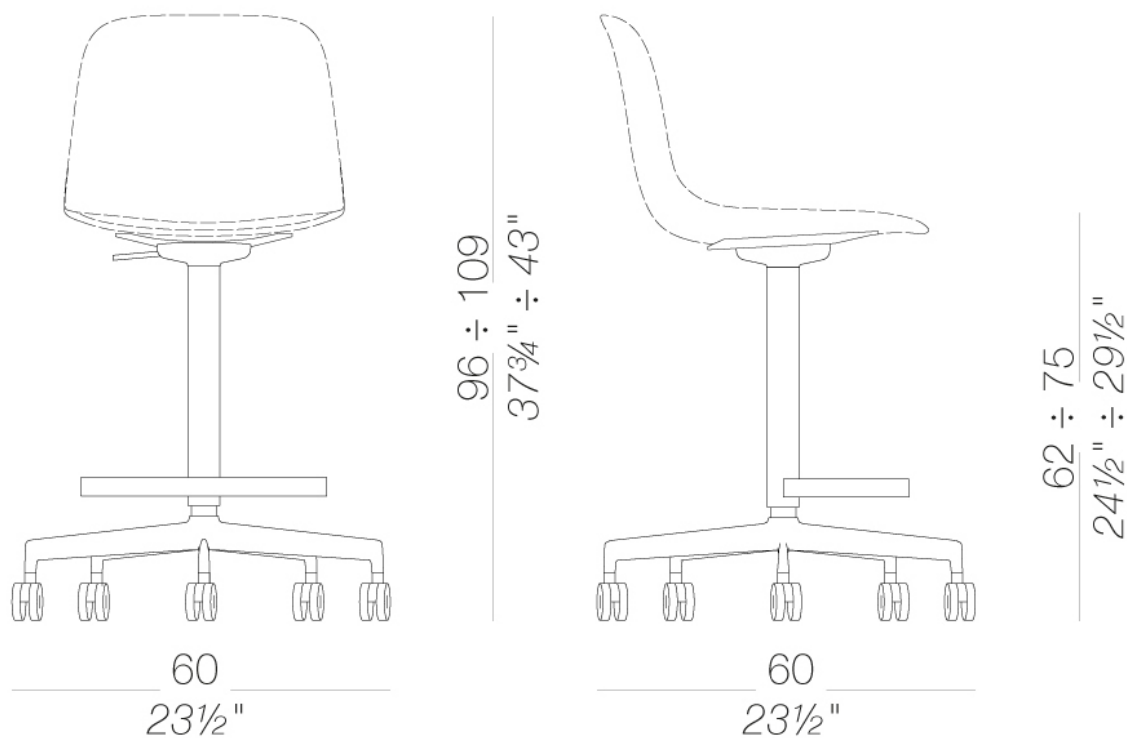
Antti Kotilainen | 2018



## | S328 stool with footrest, height-adjustable and backrest

Shell in polypropylene with integrated seamless seatpad in polypropylene, wood or fabric, easily removable with 4 screws and replaceable. A fully upholstered shell without removable seat-pad is also available. Height adjustable swivel frame with footrest in powder coated steel. 5 star base in aluminium powder coated and self-braking castors.

TEST Fire resistance - class 1 - PP  
TEST 1 IM - Jet, Remix, Tonica, Valencia



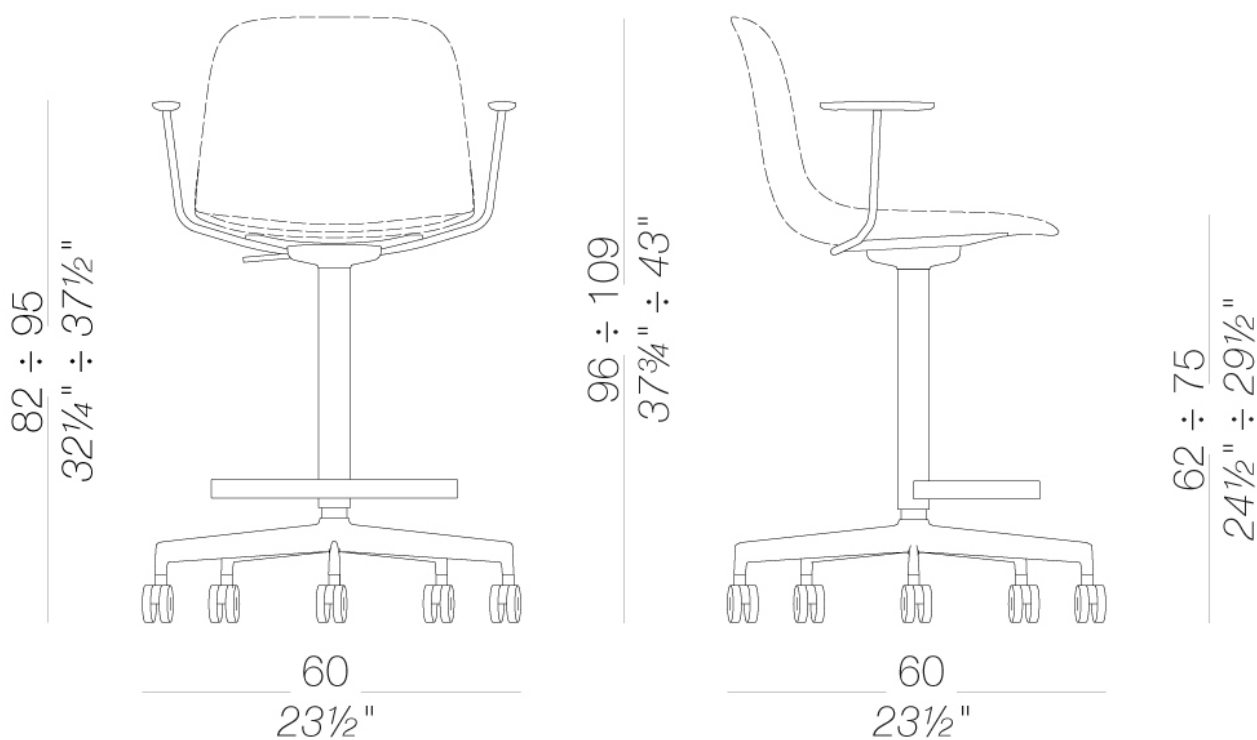
# SEELA

Antti Kotilainen | 2018

## | S329 stool with footrest and backrest, height-adjustable and backrest

Shell in polypropylene with integrated seamless seatpad in polypropylene, wood or fabric, easily removable with 4 screws and replaceable. A fully upholstered shell without removable seat-pad is also available. Height adjustable swivel frame with footrest in powder coated steel. 5 star base in aluminium powder coated and self-braking castors. Armrests in polypropylene.

TEST Fire resistance - class 1 - PP  
TEST 1 IM - Jet, Remix, Tonica, Valencia



# SEELA

Antti Kotilainen | 2018

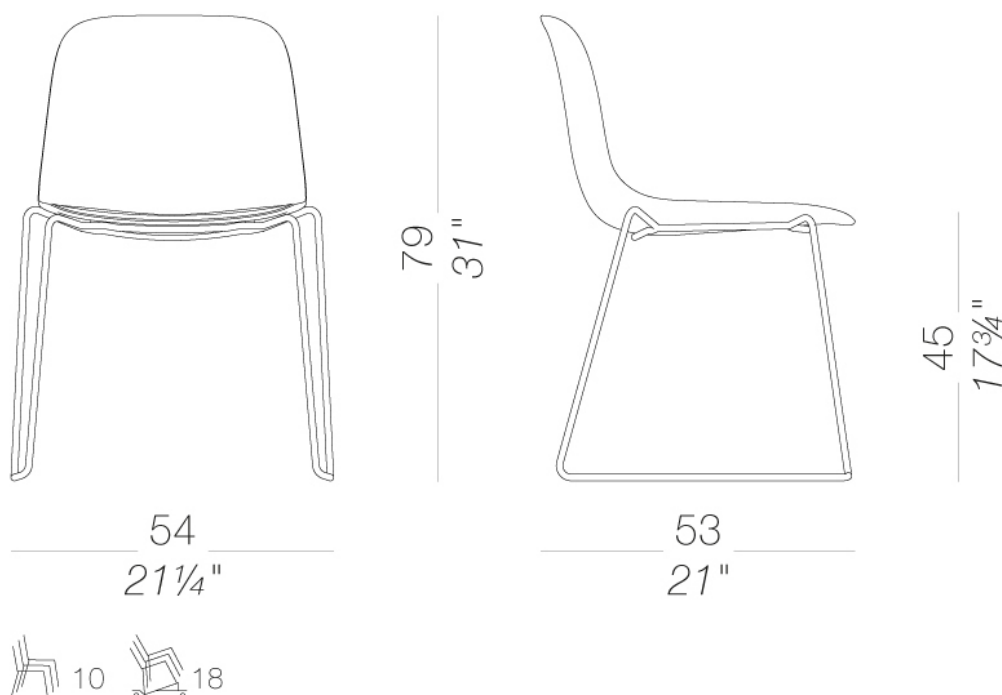
## | S310 Stackable with slide-frame base

Shell in polypropylene with integrated seamless seatpad in polypropylene, wood or fabric, easily removable with 4 screws and replaceable. A fully upholstered shell without removable seat-pad is also available. Stackable sled base in steel rod either mat chromed or powder coated. Glides in polypropylene with insert in felt or plastic. It is complemented by a stool in two heights.

TEST EN 1728:2012 AC:2013 6.17 - EN 16139:2013 - L2 extreme

TEST Fire resistance - class 1 - PP

TEST 1 IM - Jet, Remix, Tonica, Valencia



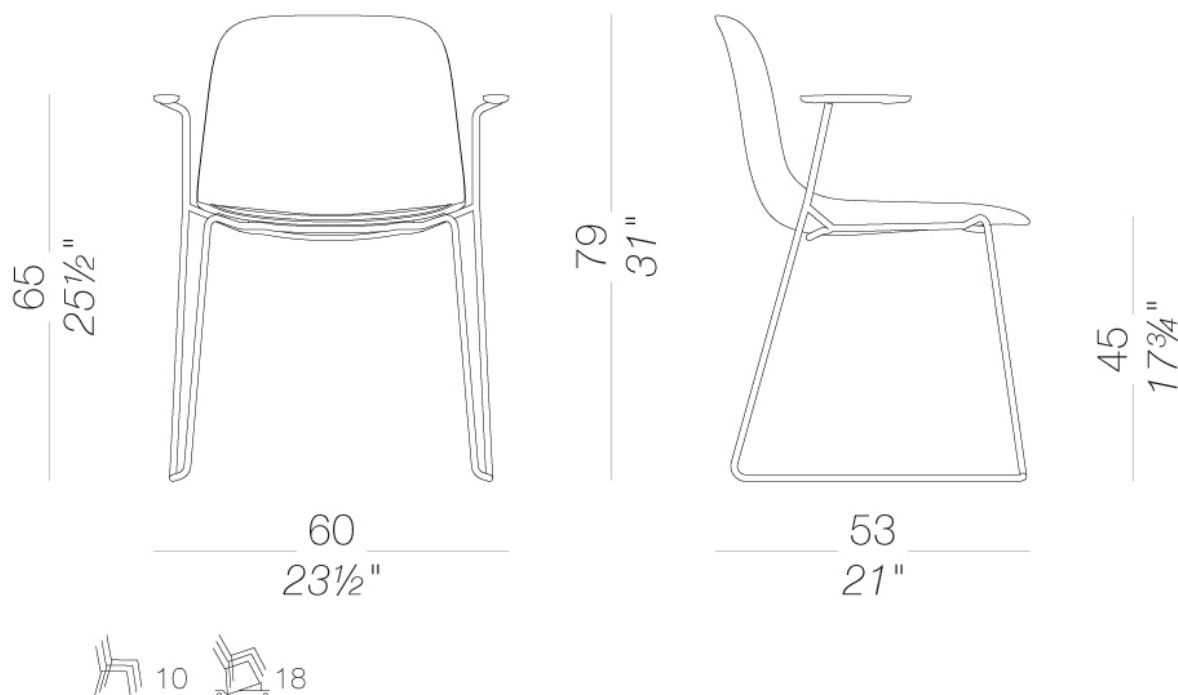
# SEELA

Antti Kotilainen | 2018

## | S314 stackable with armrests

Shell in polypropylene with integrated seamless seatpad in polypropylene, wood or fabric, easily removable with 4 screws and replaceable. A fully upholstered shell without removable seat-pad is also available. Stackable sled base in steel rod either mat chromed or powder coated. Armrests in polypropylene. Glides in polypropylene with insert in felt or plastic.

TEST Fire resistance - class 1 - PP  
TEST 1 IM - Jet, Remix, Tonica, Valencia



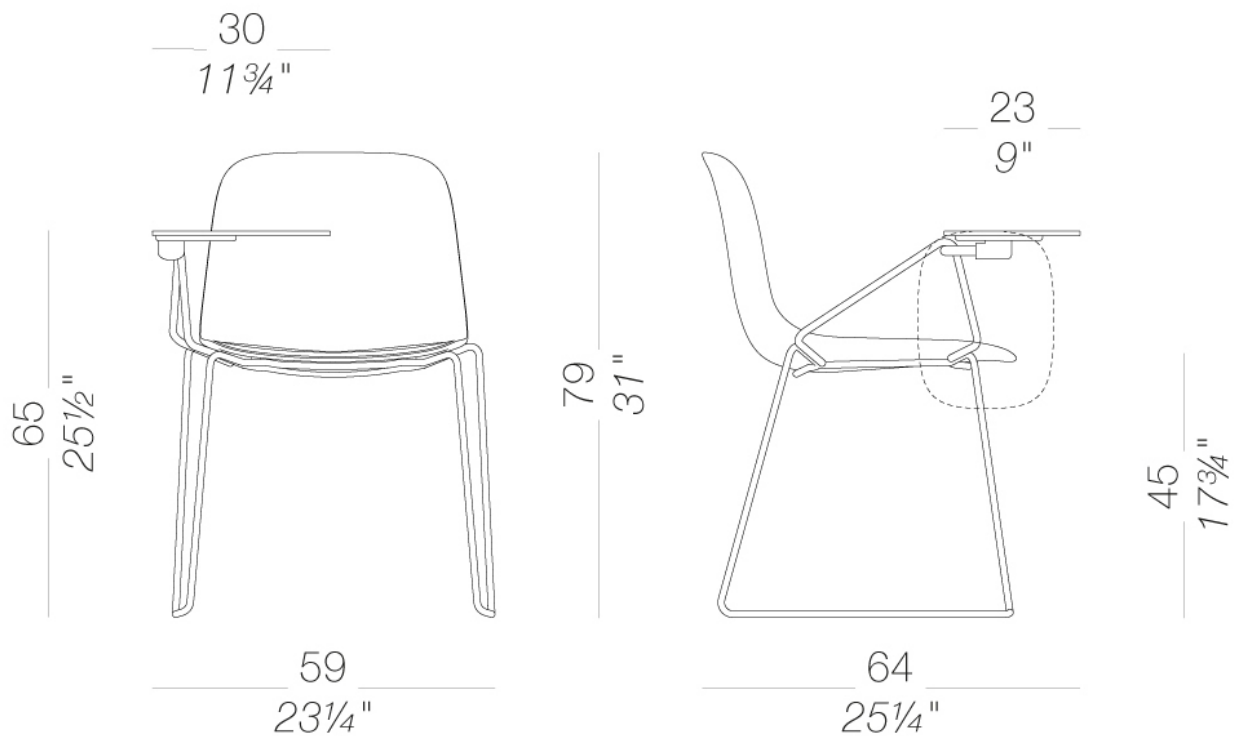
# SEELA

Antti Kotilainen | 2018

## | S315 with writing arm

Shell in polypropylene with integrated seamless seatpad in polypropylene, wood or fabric, easily removable with 4 screws and replaceable. A fully upholstered shell without removable seat-pad is also available. Sled base in steel rod either mat chromed or powder coated. Pivoting writing tablet in black or white Fenix®. Glides in polypropylene with insert in felt or plastic.

TEST Fire resistance - class 1 - PP  
TEST 1 IM - Jet, Remix, Tonica, Valencia



# SEELA

Antti Kotilainen | 2018

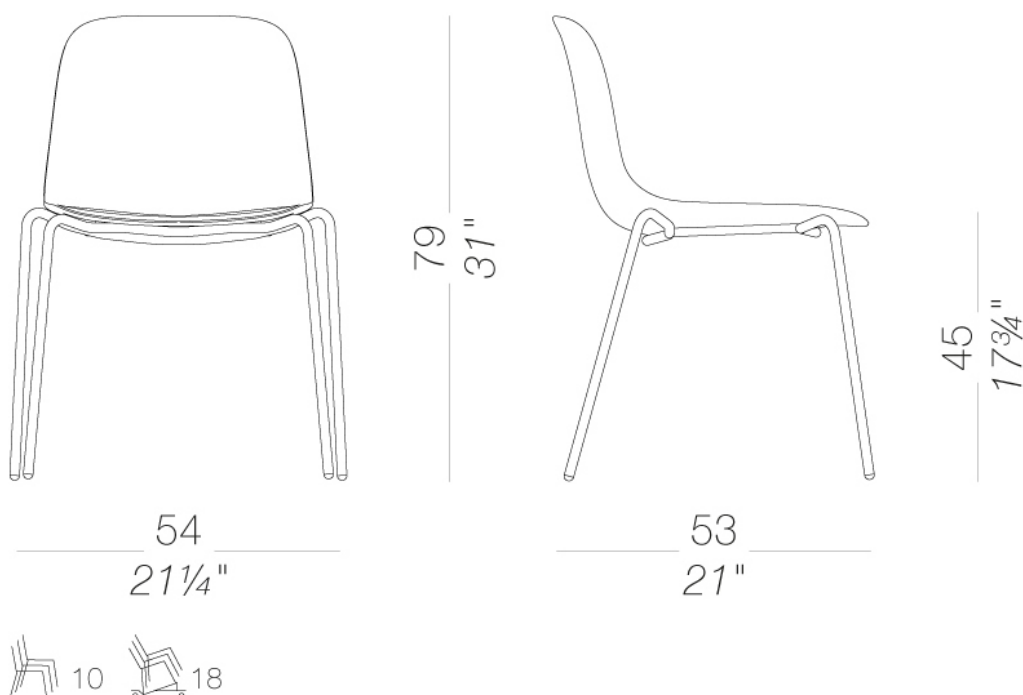
## | S311 4-legged

Shell in polypropylene with integrated seamless seatpad in polypropylene, wood or fabric, easily removable with 4 screws and replaceable. A fully upholstered shell without removable seat-pad is also available. 4 legged stackable base in mat chromed steel or powder coated. Glides in nylon with felt.

TEST EN 1728:2012 AC:2013 6.17 - EN 16139:2013 - L2 extreme

TEST Fire resistance - class 1 - PP

TEST 1 IM - Jet, Remix, Tonica, Valencia



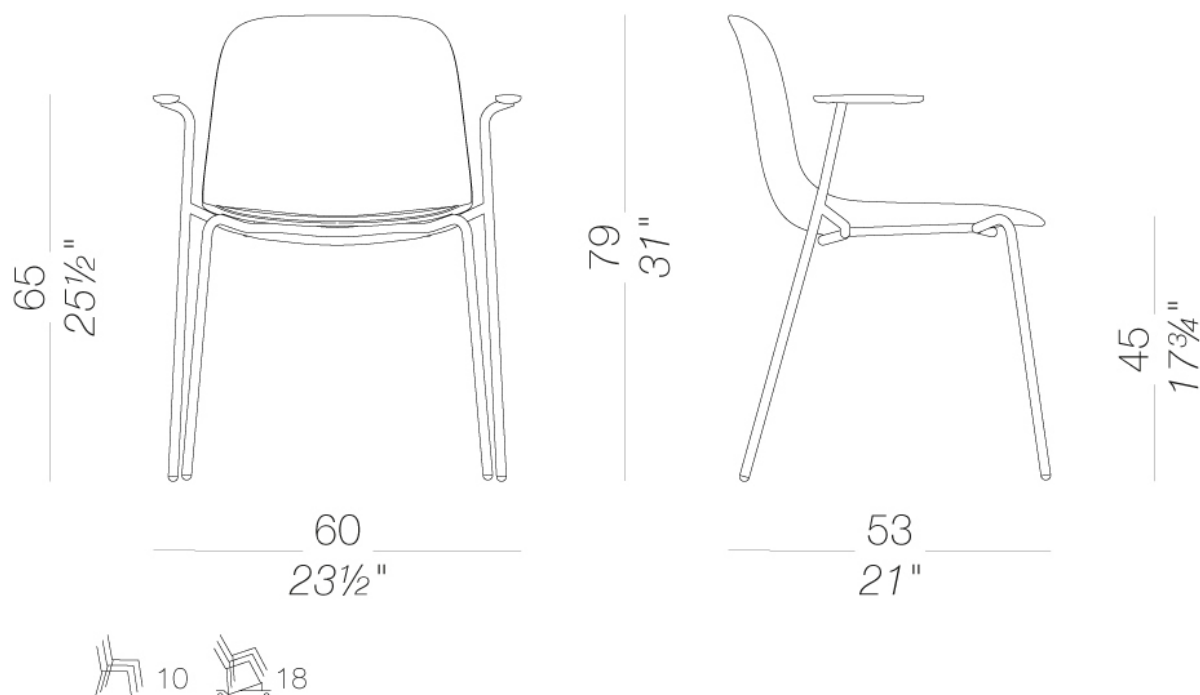
# SEELA

Antti Kotilainen | 2018

## | S316 stackable with armrests

Shell in polypropylene with integrated seamless seatpad in polypropylene, wood or fabric, easily removable with 4 screws and replaceable. A fully upholstered shell without removable seat-pad is also available. Stackable base 4 legs in mat chromed steel or powder coated. Armrests in polypropylene. Glides in nylon with felt.

TEST Fire resistance - class 1 - PP  
TEST 1 IM - Jet, Remix, Tonica, Valencia





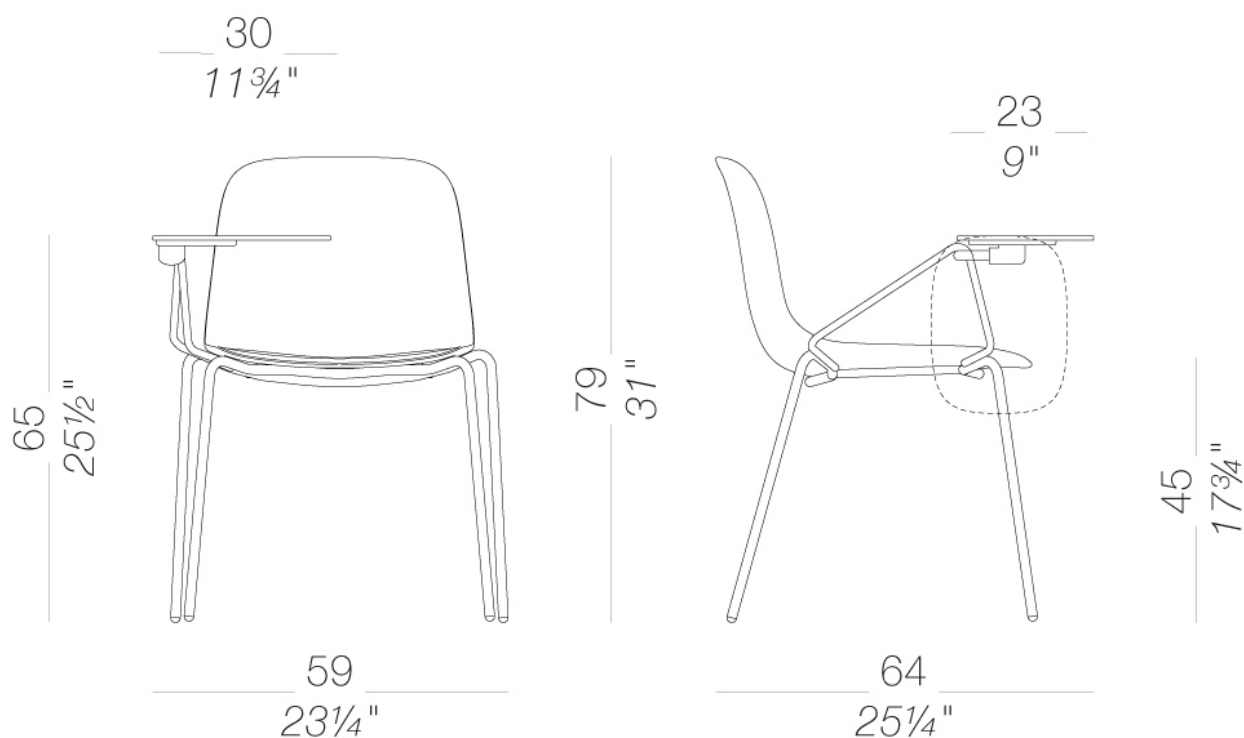
# SEELA

Antti Kotilainen | 2018

## | S317 with writing arm

Shell in polypropylene with integrated seamless seatpad in polypropylene, wood or fabric, easily removable with 4 screws and replaceable. A fully upholstered shell without removable seat-pad is also available. Base with 4 legs in mat chromed steel or powder coated. Pivoting writing tablet in black or white Fenix®. Glides in nylon with felt.

TEST Fire resistance - class 1 - PP  
TEST 1 IM - Jet, Remix, Tonica, Valencia



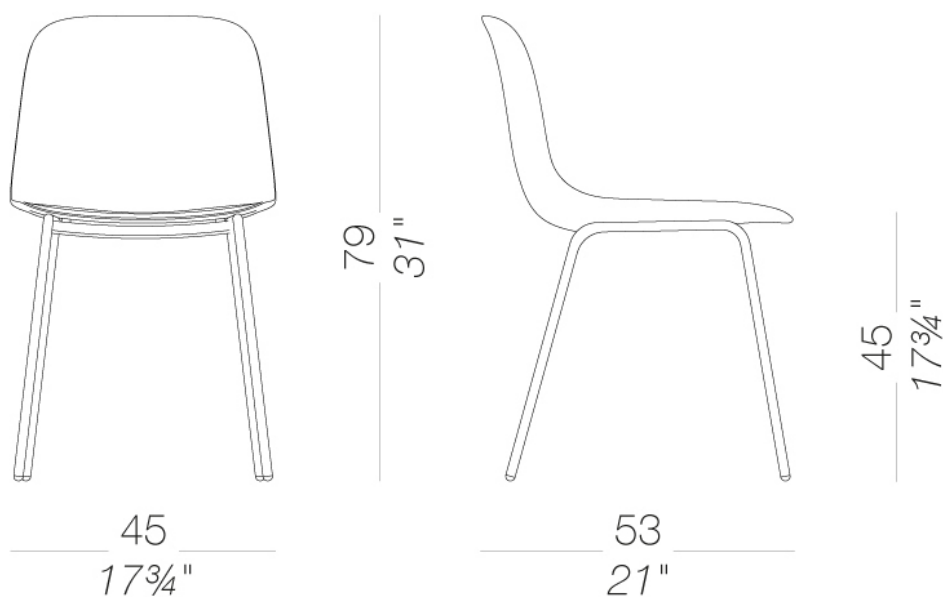
# SEELA

Antti Kotilainen | 2018

## | S312 4-legged

Shell in polypropylene with integrated seamless seatpad in polypropylene, wood or fabric, easily removable with 4 screws and replaceable. A fully upholstered shell without removable seat-pad is also available. Base with 4 legs in mat chromed steel or powder coated. Glides in nylon with felt. It is complemented by a stool in two heights.

TEST Fire resistance - class 1 - PP  
TEST 1 IM - Jet, Remix, Tonica, Valencia



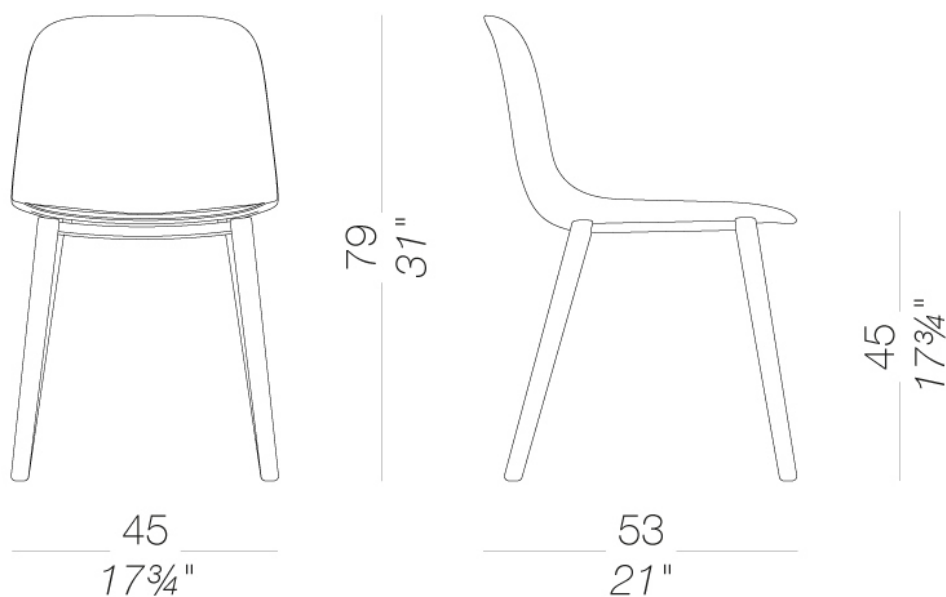
# SEELA

Antti Kotilainen | 2018

## | S313 Chair with wood legs

Shell in polypropylene with integrated seamless seatpad in polypropylene, wood or fabric, easily removable with 4 screws and replaceable. A fully upholstered shell without removable seat-pad is also available. Base with 4 legs in solid wood lacquered in several finishes. Glides in nylon with felt. It is complemented by a stool in two heights.

TEST Fire resistance - class 1 - PP  
TEST 1 IM - Jet, Remix, Tonica, Valencia



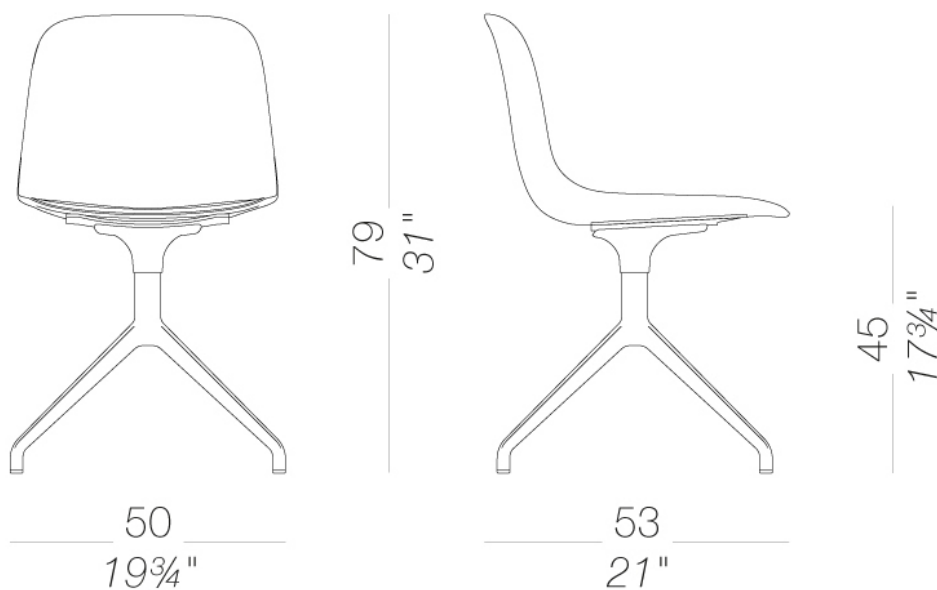
# SEELA

Antti Kotilainen | 2018

## | S344 Trestle swivel base

Shell in polypropylene with integrated seamless seatpad in polypropylene, wood or fabric, easily removable with 4 screws and replaceable. A fully upholstered shell without removable seat-pad is also available. Trestle swivel base in sandblasted aluminium or powder coated. Glides in polythene.

TEST Fire resistance - class 1 - PP  
TEST 1 IM - Jet, Remix, Tonica, Valencia



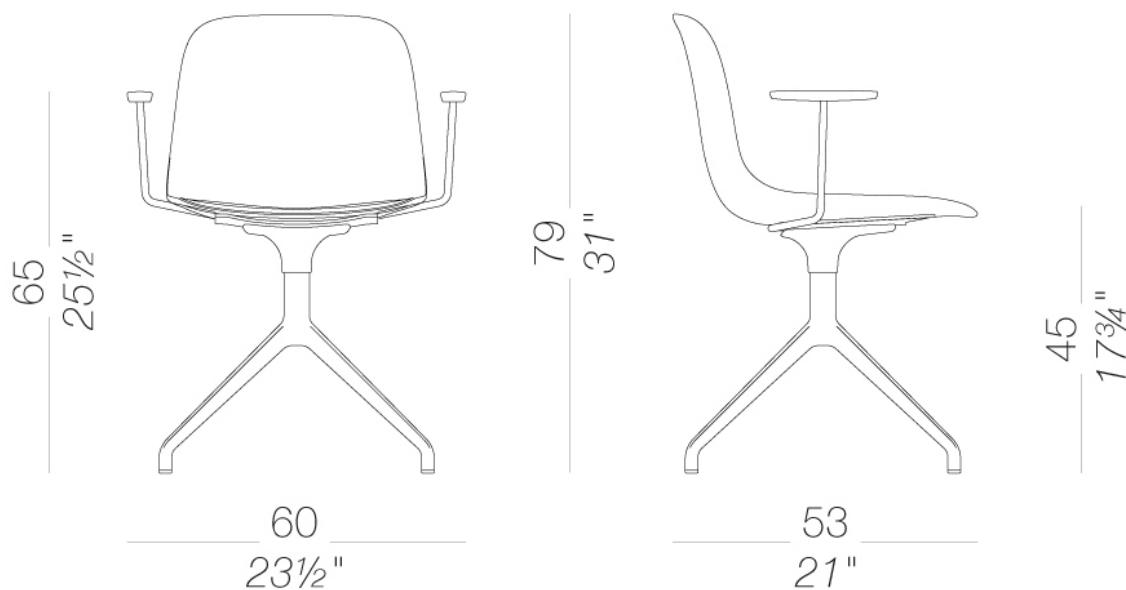
# SEELA

Antti Kotilainen | 2018

## | S345 Trestle swivel base with armrest

Shell in polypropylene with integrated seamless seatpad in polypropylene, wood or fabric, easily removable with 4 screws and replaceable. A fully upholstered shell without removable seat-pad is also available. Trestle swivel base in sandblasted aluminium or powder coated. Armrests in polypropylene. Glides in polythene.

TEST Fire resistance - class 1 - PP  
TEST 1 IM - Jet, Remix, Tonica, Valencia



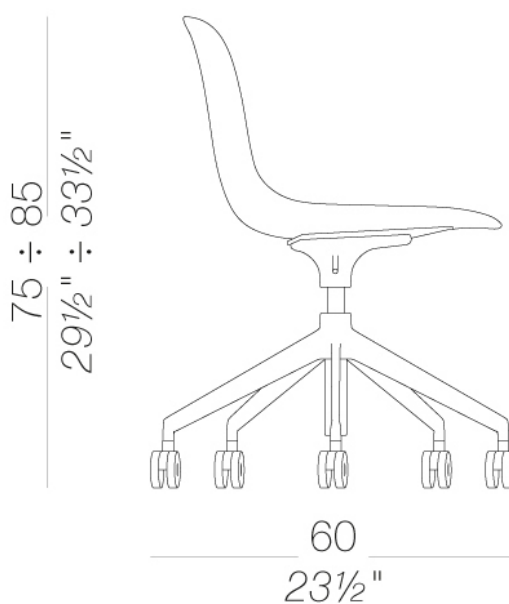
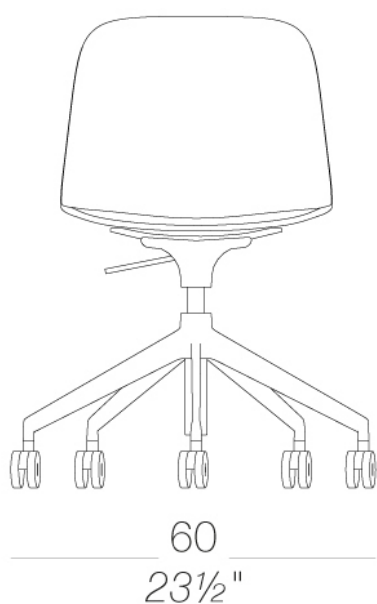
# SEELA

Antti Kotilainen | 2018

## | S340 Height-adjustable with pyramidal base, on castors

Shell in polypropylene with integrated seamless seatpad in polypropylene, wood or fabric, easily removable with 4 screws and replaceable. A fully upholstered shell without removable seat-pad is also available. Five-star swivel height adjustable base in sandblasted aluminium or powder coated, with self-braking castors.

TEST Fire resistance - class 1 - PP  
TEST 1 IM - Jet, Remix, Tonica, Valencia



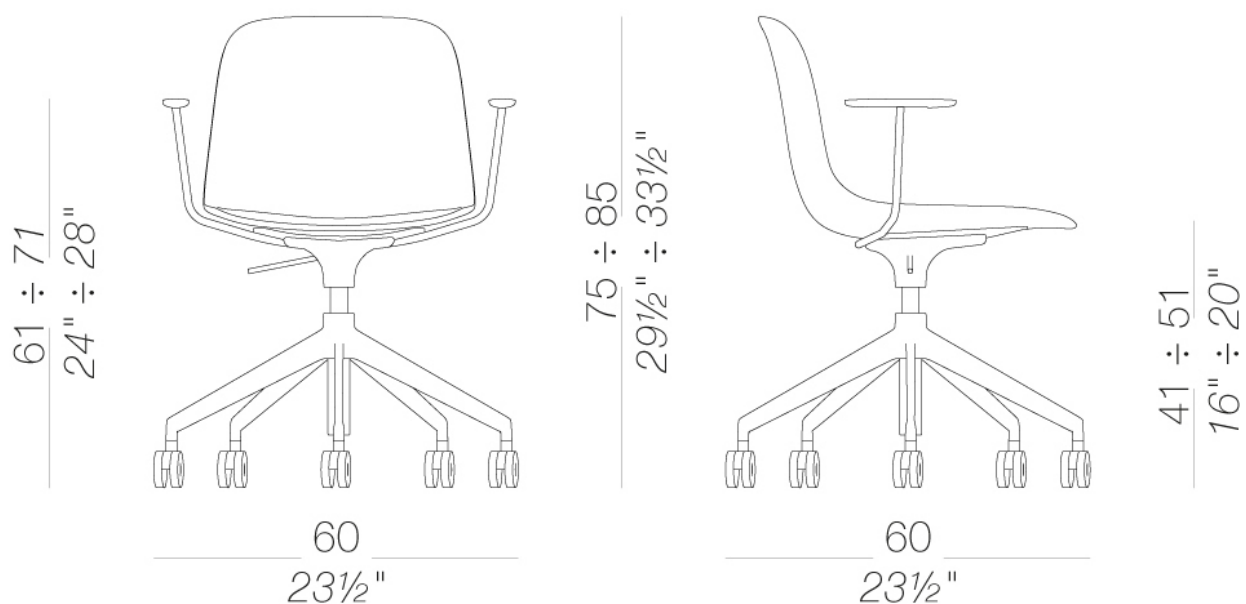
# SEELA

Antti Kotilainen | 2018

## | S341 swivel with armrests

Shell in polypropylene with integrated seamless seatpad in polypropylene, wood or fabric, easily removable with 4 screws and replaceable. A fully upholstered shell without removable seat-pad is also available. Five- star swivel height adjustable base in sandblasted aluminium or powder coated, with self-braking castors. Armrests in polypropylene.

TEST Fire resistance - class 1 - PP  
TEST 1 IM - Jet, Remix, Tonica, Valencia



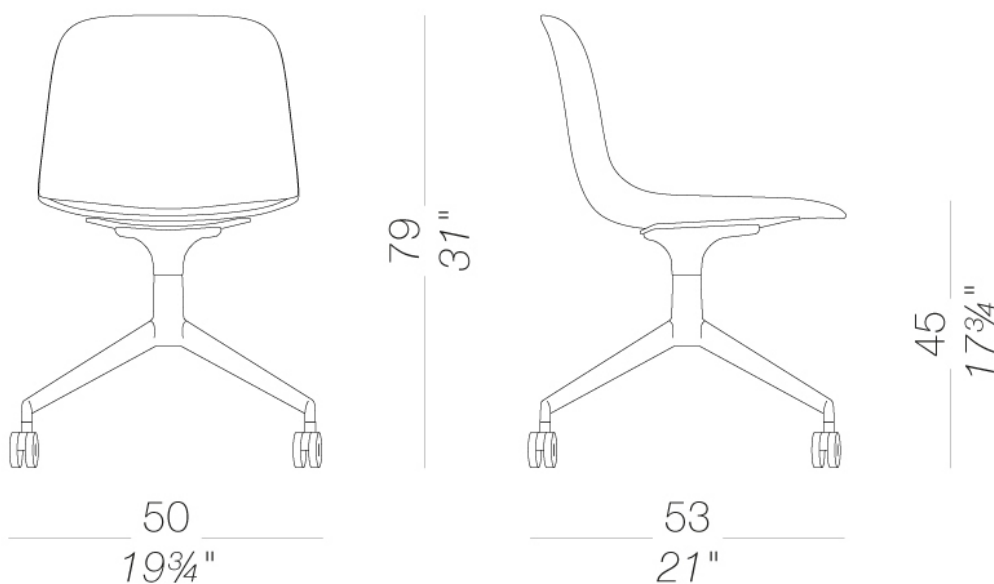
# SEELA

Antti Kotilainen | 2018

## | S342 4-spoke base, on castors

Shell in polypropylene with integrated seamless seatpad in polypropylene, wood or fabric, easily removable with 4 screws and replaceable. A fully upholstered shell without removable seat-pad is also available. Trestle base in sandblasted aluminium or powder coated, with self-braking castors.

TEST Fire resistance - class 1 - PP  
TEST 1 IM - Jet, Remix, Tonica, Valencia





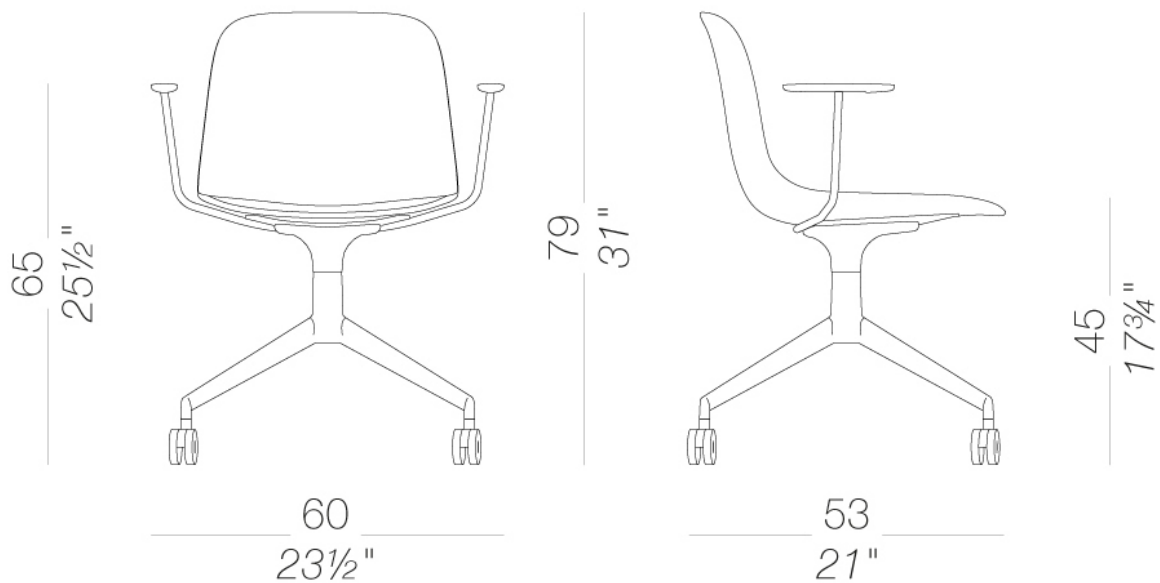
# SEELA

Antti Kotilainen | 2018

## | S343 Trestle base with castors and armrests

Shell in polypropylene with integrated seamless seatpad in polypropylene, wood or fabric, easily removable with 4 screws and replaceable. A fully upholstered shell without removable seat-pad is also available. Trestle base in sandblasted aluminium or powder coated, with self-braking castors. Armrests in polypropylene.

TEST Fire resistance - class 1 - PP  
TEST 1 IM - Jet, Remix, Tonica, Valencia



# SEELA

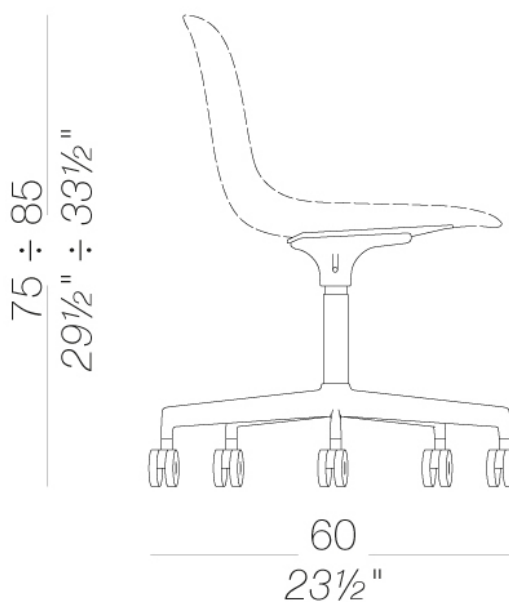
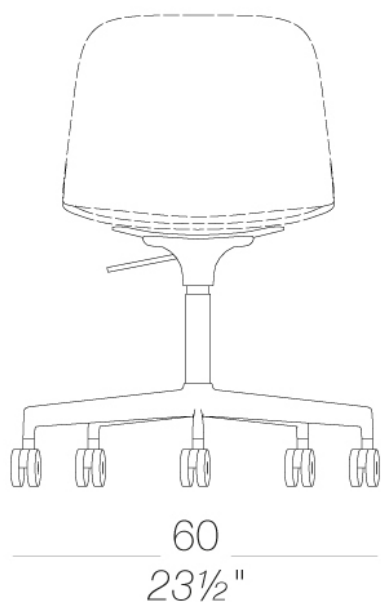
Antti Kotilainen | 2018

## | S346 Trestle base with castors and armrests

Shell in polypropylene with integrated seamless seatpad in polypropylene, wood or fabric, easily removable with 4 screws and replaceable. A fully upholstered shell without removable seat-pad is also available.

Five-star swivel height adjustable base in sandblasted aluminium or powder coated, with self-braking castors.

TEST Fire resistance - class 1 - PP  
TEST 1 IM - Jet, Remix, Tonica, Valencia



41 ÷ 51  
16" ÷ 20"

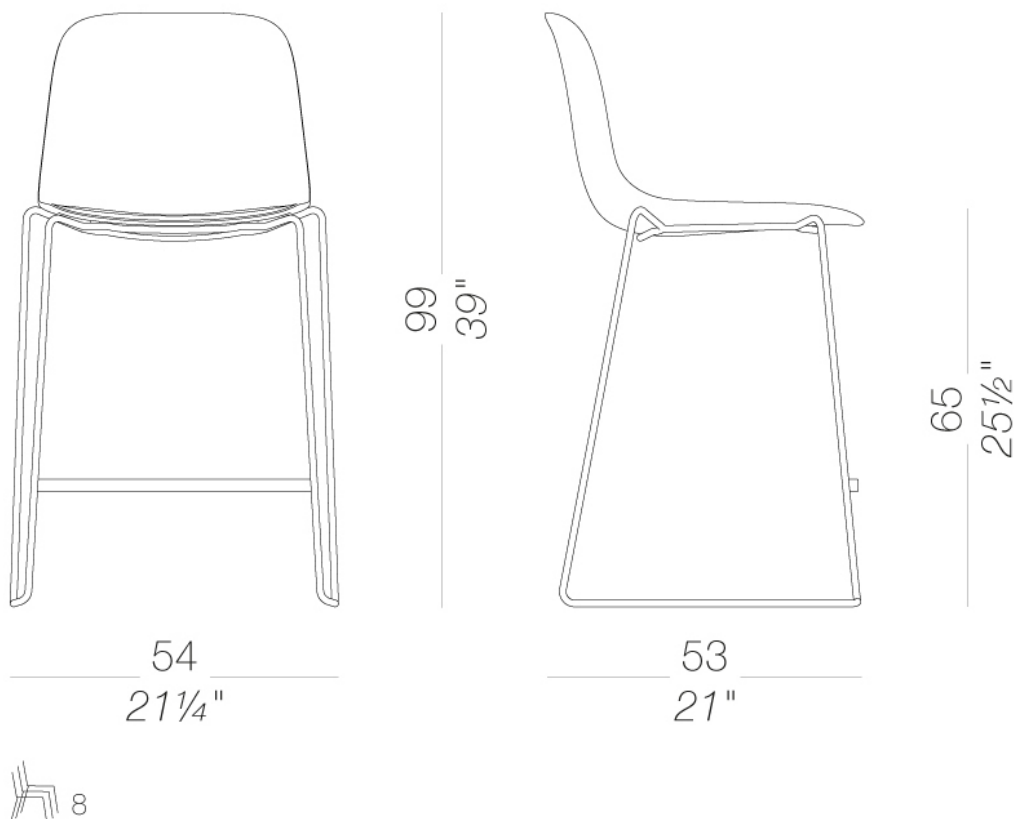
# SEELA

Antti Kotilainen | 2018

## | S320 counter stool with slide-frame base H65

Shell in polypropylene with integrated seamless seatpad in polypropylene, wood or fabric, easily removable with 4 screws and replaceable. A fully upholstered shell without removable seat-pad is also available. Stackable sled base h.65 cm. in steel rod either mat chromed or powder coated. Glides in polypropylene with insert in felt or plastic.

TEST Fire resistance - class 1 - PP  
TEST 1 IM - Jet, Remix, Tonica, Valencia



# SEELA

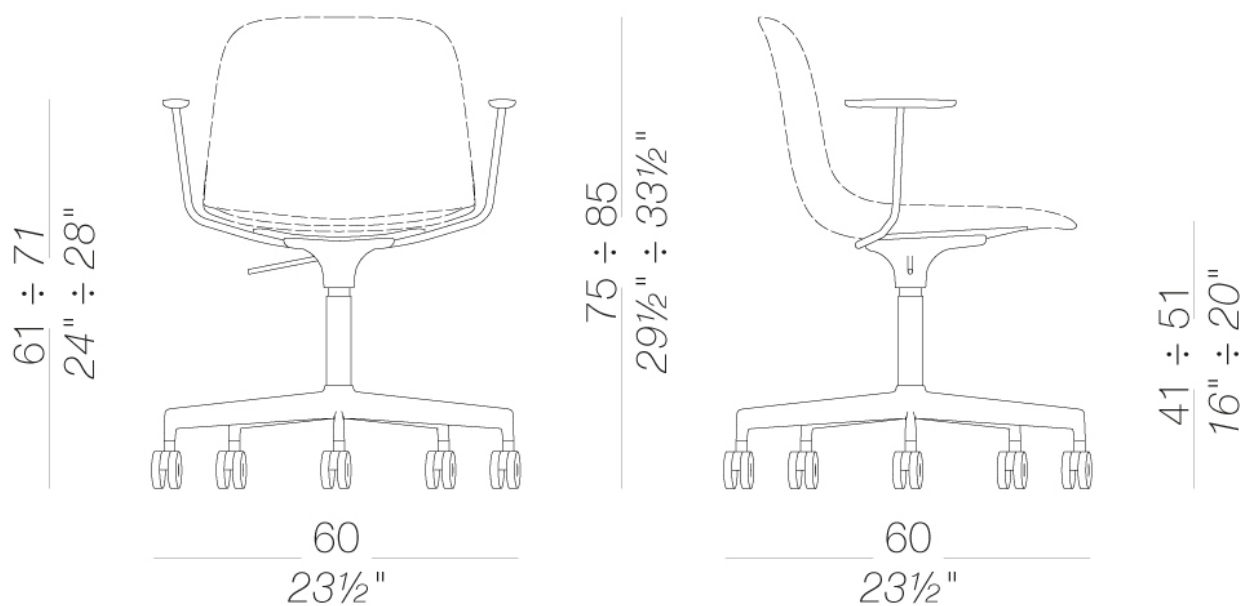
Antti Kotilainen | 2018

## | S347 5 star base height adjustable with armrest

Shell in polypropylene with integrated seamless seatpad in polypropylene, wood or fabric, easily removable with 4 screws and replaceable. A fully upholstered shell without removable seat-pad is also available.

Five-star swivel height adjustable base in sandblasted aluminium or powder coated, with self-braking castors. Armrests in polypropylene.

TEST Fire resistance - class 1 - PP  
TEST 1 IM - Jet, Remix, Tonica, Valencia



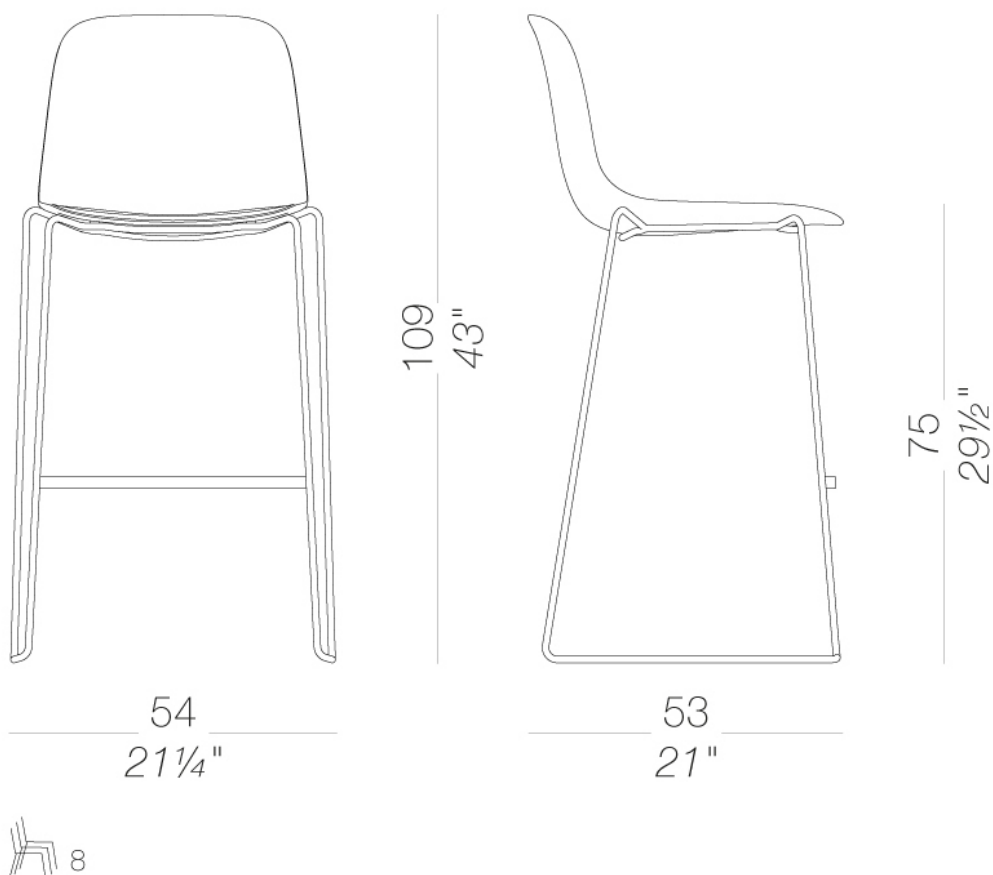
# SEELA

Antti Kotilainen | 2018

## | S321 bar stool with slide-frame base H75

Shell in polypropylene with integrated seamless seatpad in polypropylene, wood or fabric, easily removable with 4 screws and replaceable. A fully upholstered shell without removable seat-pad is also available. Stackable sled base h.75 cm. in steel rod either mat chromed or powder coated. Glides in polypropylene with insert in felt or plastic.

TEST Fire resistance - class 1 - PP  
TEST 1 IM - Jet, Remix, Tonica, Valencia



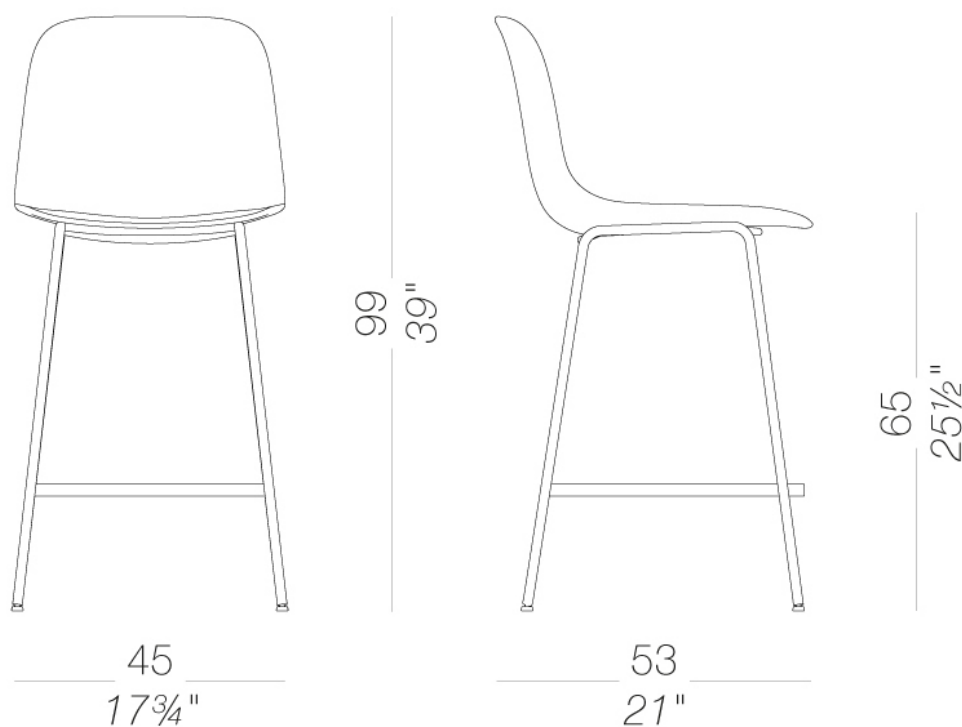
# SEELA

Antti Kotilainen | 2018

## | S322 4 legs counter stool H65

Shell in polypropylene with integrated seamless seatpad in polypropylene, wood or fabric, easily removable with 4 screws and replaceable. A fully upholstered shell without removable seat-pad is also available. Base h.65 cm. with 4 legs in mat chromed steel or powder coated. Feet in nylon with felt.

TEST Fire resistance - class 1 - PP  
TEST 1 IM - Jet, Remix, Tonica, Valencia



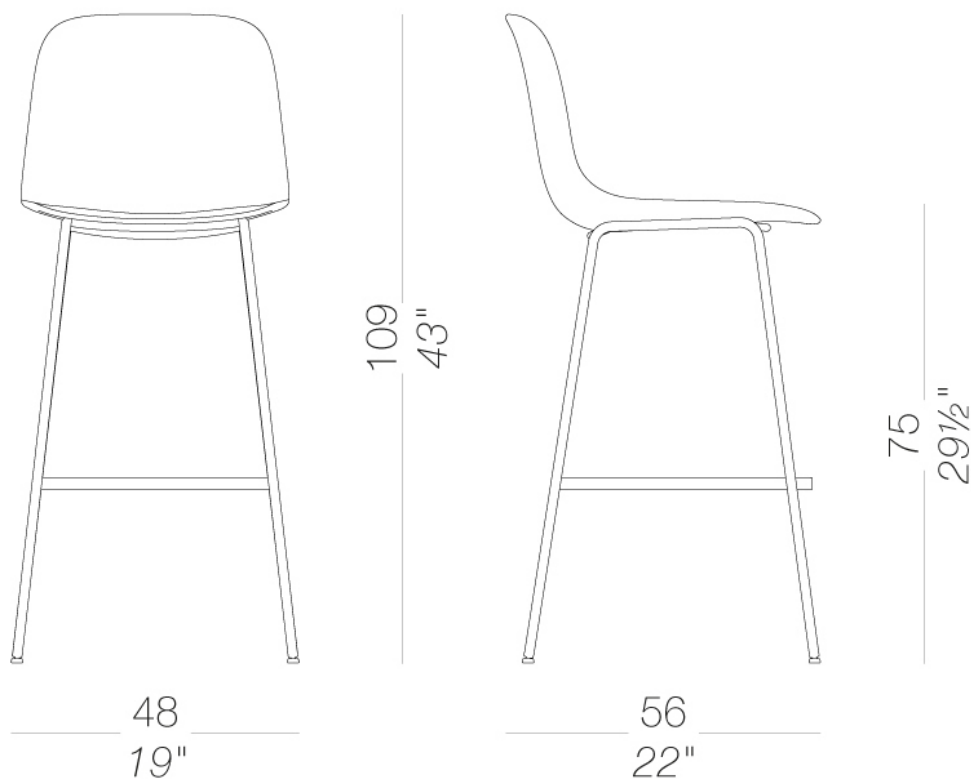
# SEELA

Antti Kotilainen | 2018

## | S323 4 legs H75 bar stool

Shell in polypropylene with integrated seamless seatpad in polypropylene, wood or fabric, easily removable with 4 screws and replaceable. A fully upholstered shell without removable seat-pad is also available. Base h.75 cm. with 4 legs in mat chromed steel or powder coated. Feet in nylon with felt.

TEST Fire resistance - class 1 - PP  
TEST 1 IM - Jet, Remix, Tonica, Valencia



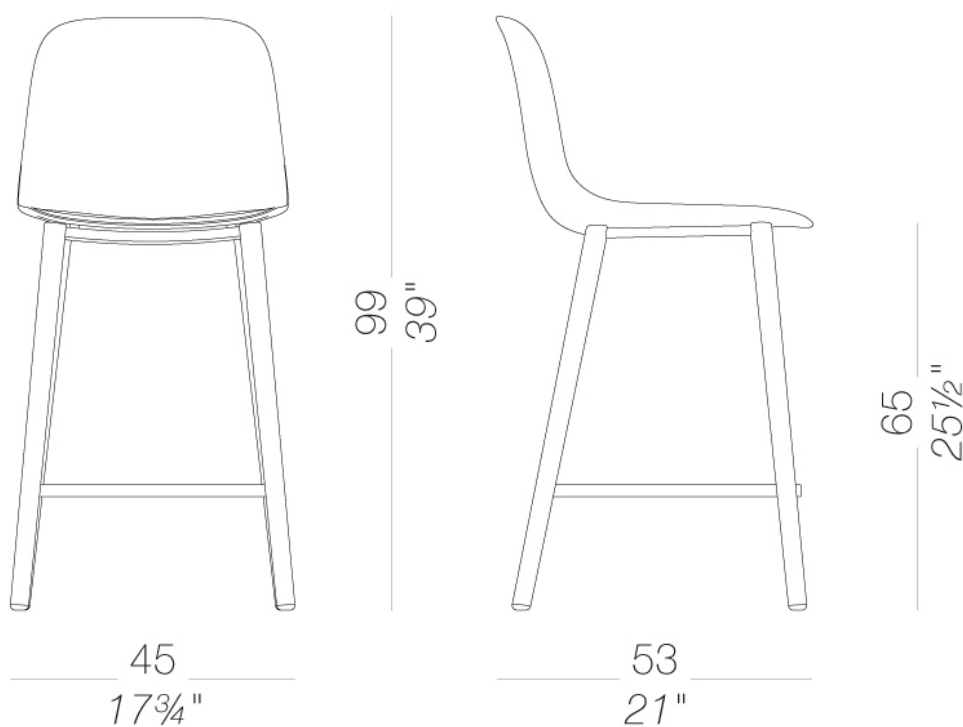
# SEELA

Antti Kotilainen | 2018

## | S326 4 wooden legs counter stool H65

Shell in polypropylene with integrated seamless seatpad in polypropylene, wood or fabric, easily removable with 4 screws and replaceable. A fully upholstered shell without removable seat-pad is also available. Base h.65 cm. with 4 legs in solid wood in several finishes. Footrest in steel powder coated white or black. Feet in nylon with felt.

TEST Fire resistance - class 1 - PP  
TEST 1 IM - Jet, Remix, Tonica, Valencia





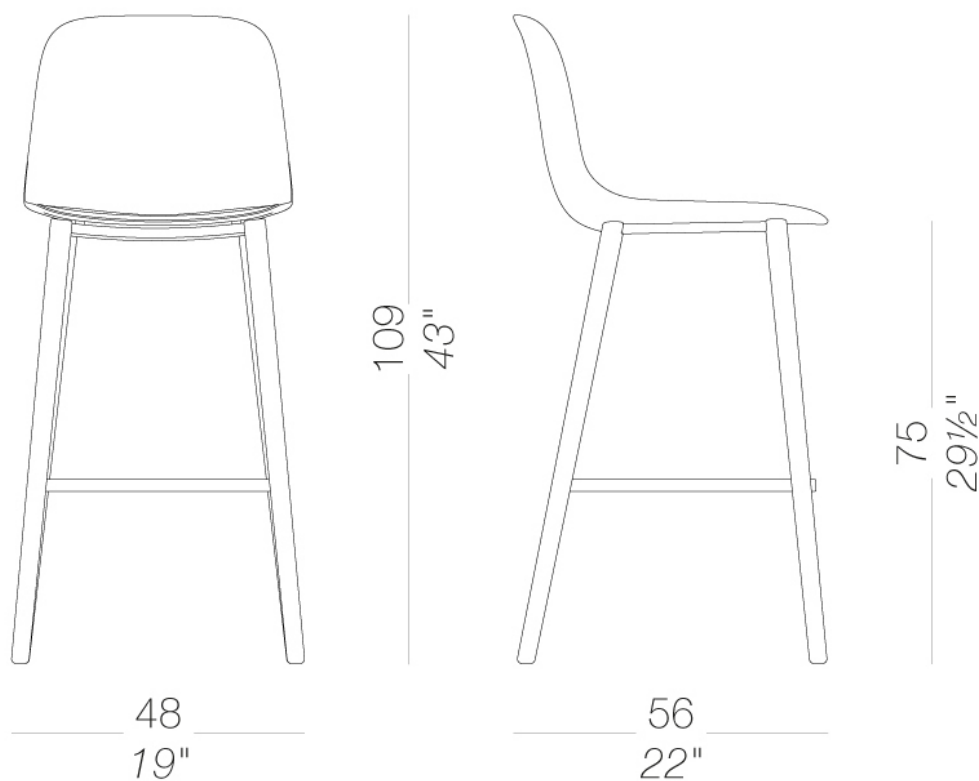
# SEELA

Antti Kotilainen | 2018

## | S327 bar stool with 4 wooden legs H75

Shell in polypropylene with integrated seamless seatpad in polypropylene, wood or fabric, easily removable with 4 screws and replaceable. A fully upholstered shell without removable seat-pad is also available. Base h.75 cm. with 4 legs in solid wood in several finishes. Footrest in steel powder coated white or black. Feet in nylon with felt.

TEST Fire resistance - class 1 - PP  
TEST 1 IM - Jet, Remix, Tonica, Valencia



# SEELA

Antti Kotilainen | 2018

## frame



powder coating  
black  
1 Colors



powder coating  
perla  
1 Colors



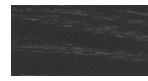
wood  
blanched oak  
1 Colors



powder coating  
celeste  
1 Colors



powder coating  
white  
1 Colors



wood  
black open pore  
1 Colors



powder coating  
mattone  
1 Colors



metal  
aluminium  
1 Colors



powder coating  
caffè  
1 Colors



powder coating  
oliva  
1 Colors



powder coating  
tortora  
1 Colors



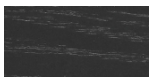
metal  
mat chromed  
1 Colors

## shell



plastics  
polypropylene  
9 Colors

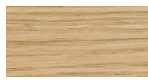
## seat-pad



wood  
black open pore  
1 Colors



plastics  
polypropylene  
9 Colors



wood  
blanched oak  
1 Colors

## armrests



plastics  
polypropylene  
9 Colors



plastics  
polypropylene  
8 Colors

## upholstery



fabric  
Canvas 2 - Grade C  
45 Colors



fabric  
Steelcut Trio 3 -  
Grade D  
54 Colors



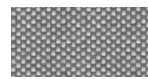
fabric  
Remix 3 - Grade C  
72 Colors



fabric  
Tonica 2 - Grade C  
39 Colors



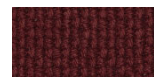
fabric  
Medley - Grade A  
37 Colors



fabric  
Maya - Grade A  
43 Colors



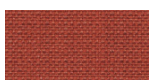
fabric  
Jet - Grade A  
66 Colors



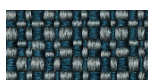
fabric  
Lapalma Smart -  
Grade C  
18 Colors



fabric  
Capture - Grade B  
43 Colors



fabric  
Crisp - Grade B  
40 Colors



fabric  
Iiris - Grade B  
24 Colors



ecoleather  
GRIMM FR - Grade  
A  
32 Colors



ecoleather  
Valencia - Grade B  
66 Colors



fabric  
Grain - Grade. B  
50 Colors



fabric  
Re-wool - Grade C  
21 Colors

## tablet



HPL 10 mm

HPL fenix

2 Colors

**consult the portfolio for the range of colors, fabrics, eco-leather, soft-leather.**

### **use and maintenance instructions**

Clean all parts in wood, leather, fabric and metal with a damp cloth or a diluted neutral cleaner. Do not use cleaners with alcohol, bleach, solvent or abrasive products. Any liquid spilled on the product must be wiped up immediately. When lifting or moving the product, hold it on the structure and not under the seat. The product should not be subjected to unbalanced weights, as it is designed for a proper rest on the foothold (on four legs or on the base). Our company relieves from any responsibility in case of damage caused to fragile floors. Avoid any improper use of the product: do not step on the product, on the footrest or on the armrests. Avoid any movements that could compromise the proper functionality of the product or the safety of the users. Wood and leather, being natural materials, could be easily damaged. Small impurities or imperfections are within quality standard range. Do not expose the product to weather conditions or atmospheric agents, nor to heat sources over 40°C. Also products for outdoor use could be afflicted by atmospheric agents. The product could undergo possible exterior changes due to particular exposure to heat, humidity and saltiness. An appropriate and frequent maintenance and cleaning of the product enhances its durability. The product could change colour and shade, if exposed to direct sunlight. Maintenance has to be carried out by experienced staff. Dispose of the package only after assembling the product, in order to avoid the loss of ironmongery and components. Once the product has been dismantled, the product itself or its components must be given to the public garbage disposal system, according to the legislation in force.



**Antti Kotilainen** | 2018

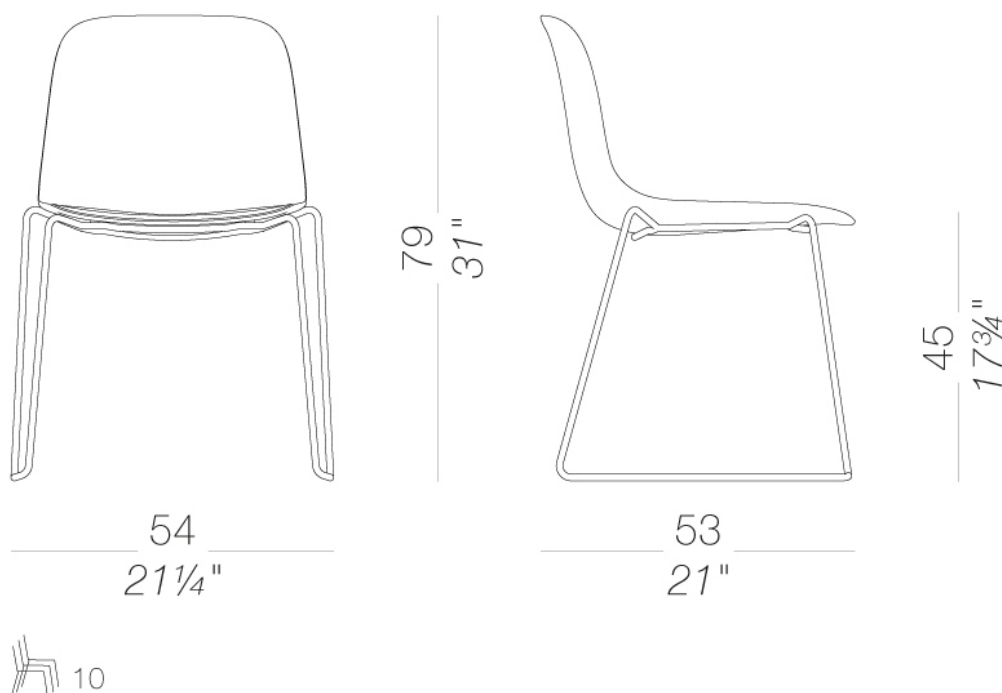
Outdoor is, above all, a question of sensitivity, the eyes and the soul seeking answers in nature and in its endless shapes. The beauty of Finnish design arises from this tension. And SEELA, a small masterpiece of serenity, is the result of the partnership between Antti Kotilainen and Lapalma. Its base supports are ultra-light, whereas the polypropylene in the colours of rock, ice, snow and wood, is a seamless line extending from the extremely comfortable seat and continuing in the embracing backrest. Disassembled and completely recyclable at the end of its life, SEELA features a perfectly integrated pad that can be replaced over the years, maximizing its life cycle and durability. It is also available in a stool version.



## ES310 | outdoor chair stackable with slide-frame base

Stackable sled base in stainless steel rod 304 either sandblasted or polyester powder coated. Glides in polypropylene with insert in plastic. It is complemented by a stackable stool in two heights. Shell with integrated seat piece in polypropylene treated for UV stability and with drainage hole. The seat piece is easily removable with 4 screws and replaceable.

TEST EN 1728:2012 AC:2013 6.17 - EN 16139:2013 - L2 extreme



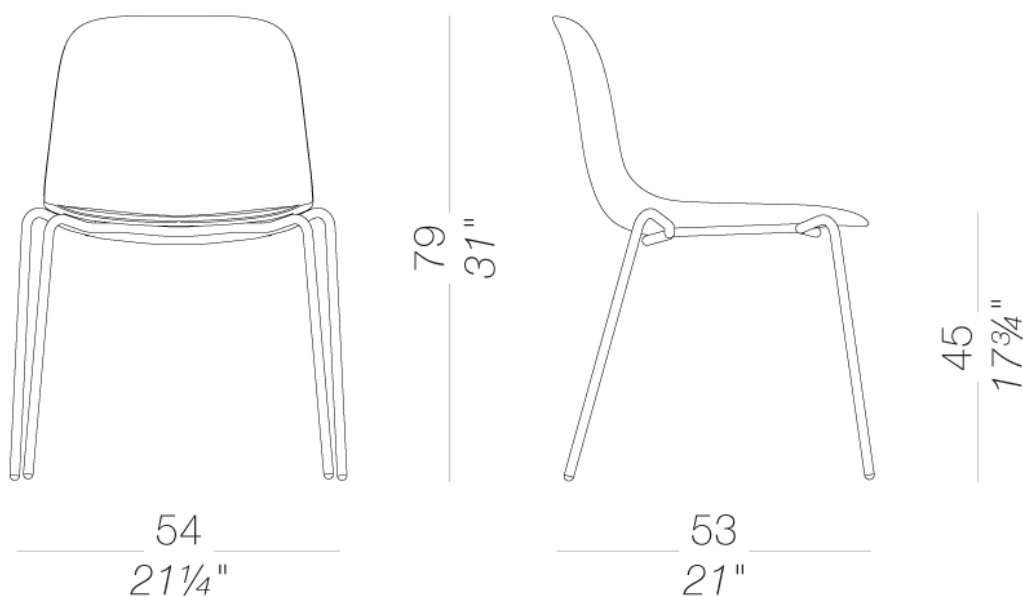
# SEELA

Antti Kotilainen | 2018

## ES311 | outdoor chair 4-legged

4 legged stackable base in stainless steel 304 either sandlasted or polyester powder coated. Glides in nylon. Shell with integrated seat piece in polypropylene treated for UV stability and with drainage hole. The seat piece is easily removable with 4 screws and replaceable.

TEST CLASS 1 - PP



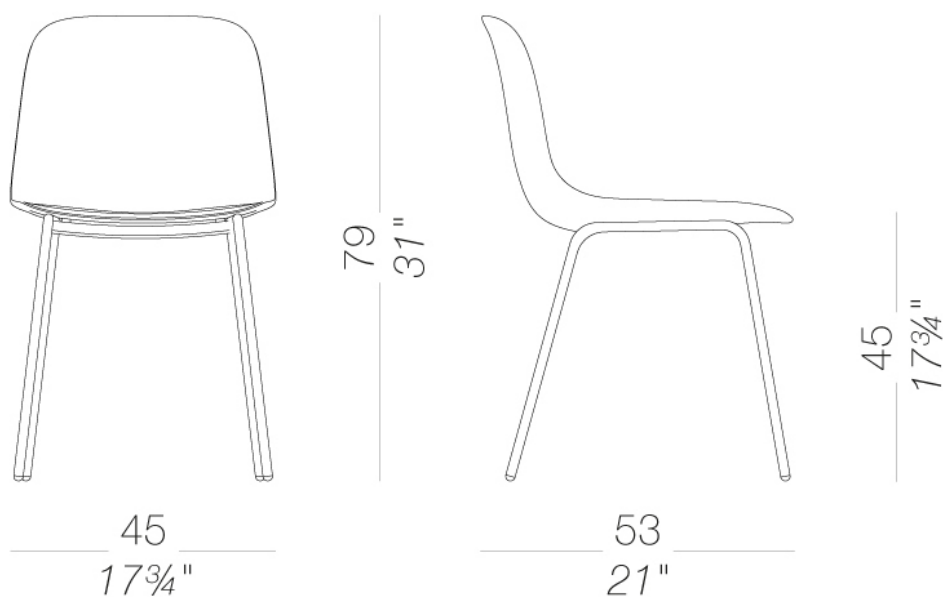
# SEELA

Antti Kotilainen | 2018

## ES312 | outdoor chair 4-legged ☀️

4 legged base in stainless steel 304 either sandlasted or polyester powder coated. Glides in nylon. It is complemented by a stool in two heights. Shell with integrated seat piece in polypropylene treated for UV stability and with drainage hole. The seat piece is easily removable with 4 screws and replaceable.

TEST CLASS 1 - PP

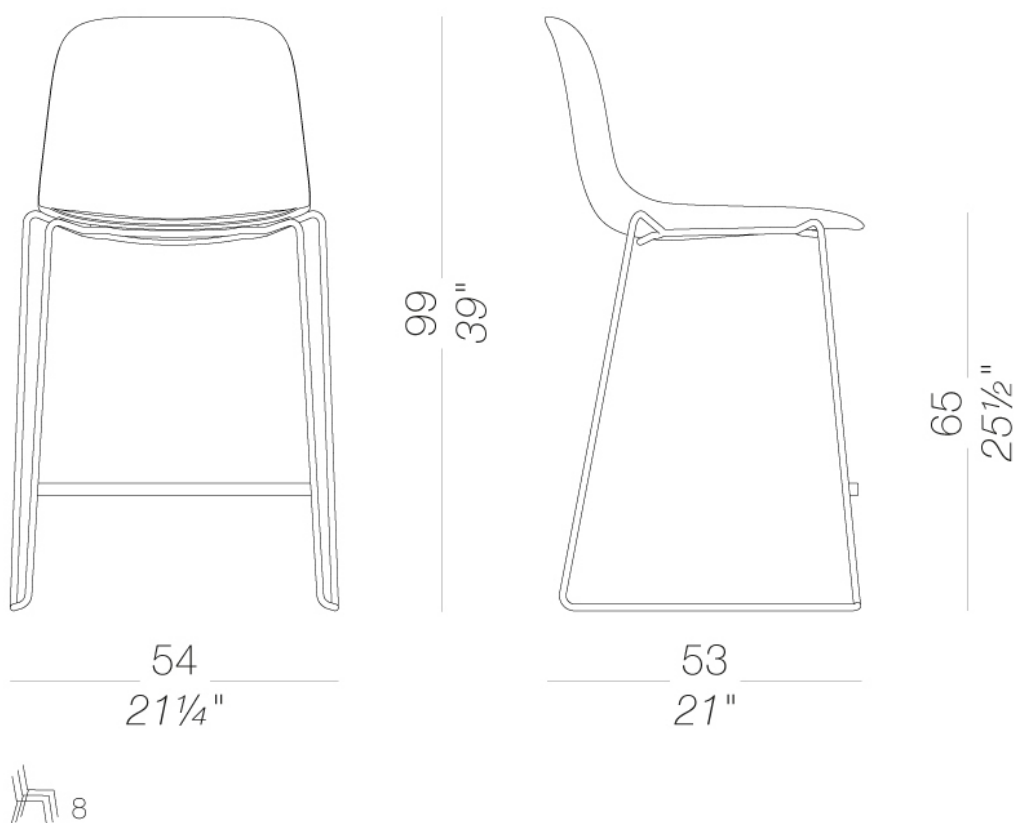


# SEELA

Antti Kotilainen | 2018

## ES320 | Outdoor stool stackable with slide-frame base H65 ☀️

Outdoor stools with stackable sled base h.65 cm. in stainless steel rod 304 sandblasted or polyester powder coated. Glides in polypropylene with insert in plastic. Shell with integrated seat piece in polypropylene treated for UV stability and with drainage hole. The seat piece is easily removable with 4 screws and replaceable.



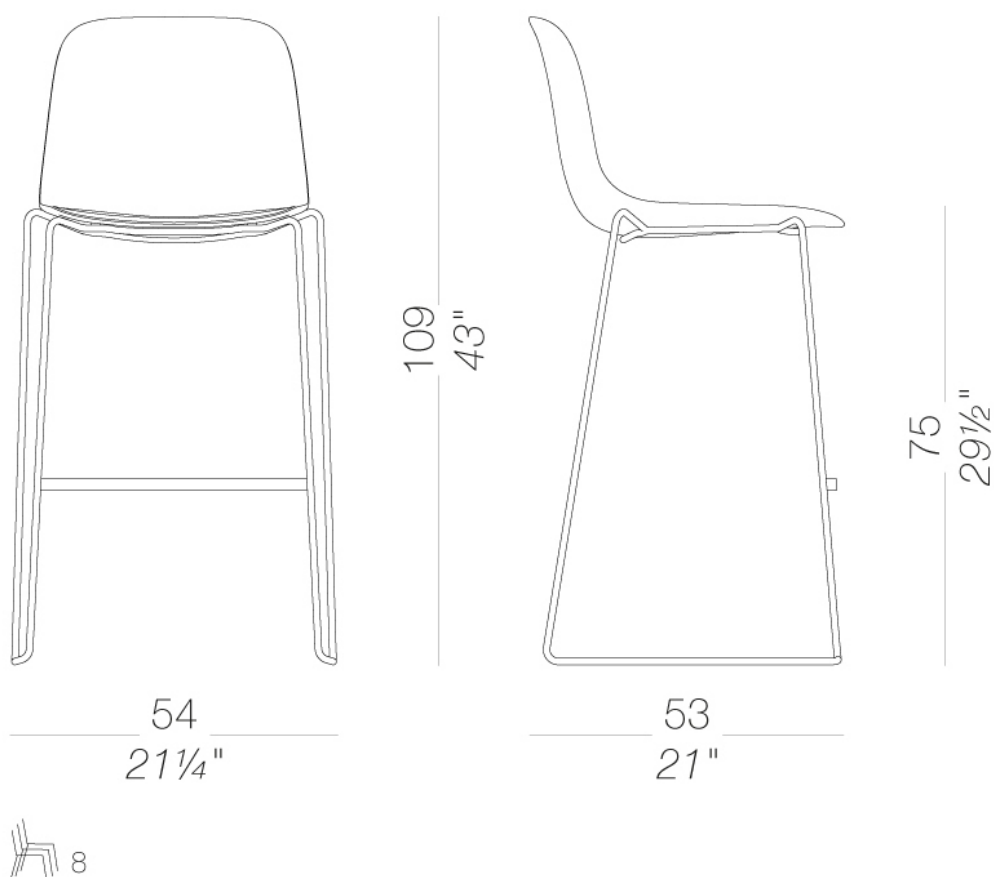


# SEELA

Antti Kotilainen | 2018

## ES321 | Outdoor bar stool stackable with slide-frame base H75 ☀️

Outdoor stools with stackable sled base h.75 cm. in stainless steel rod 304 sandblasted or polyester powder coated. Glides in polypropylene with insert in plastic. Shell with integrated seat piece in polypropylene treated for UV stability and with drainage hole. The seat piece is easily removable with 4 screws and replaceable.



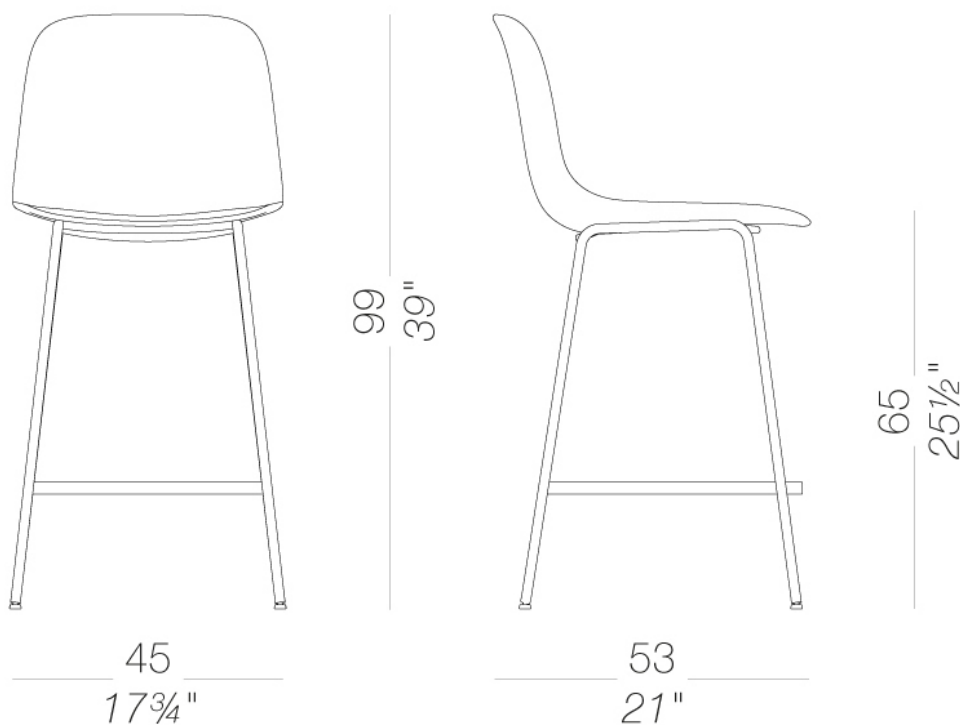
# SEELA

Antti Kotilainen | 2018

## ES322 | outdoor stool 4 legs H65 ☀️

Base h.65 cm. with 4 legs in stainless steel 304 sandblasted or polyester powder coated. Feet in nylon. Shell with integrated seat piece in polypropylene treated for UV stability and with drainage hole. The seat piece is easily removable with 4 screws and replaceable.

TEST CLASS 1 - PP



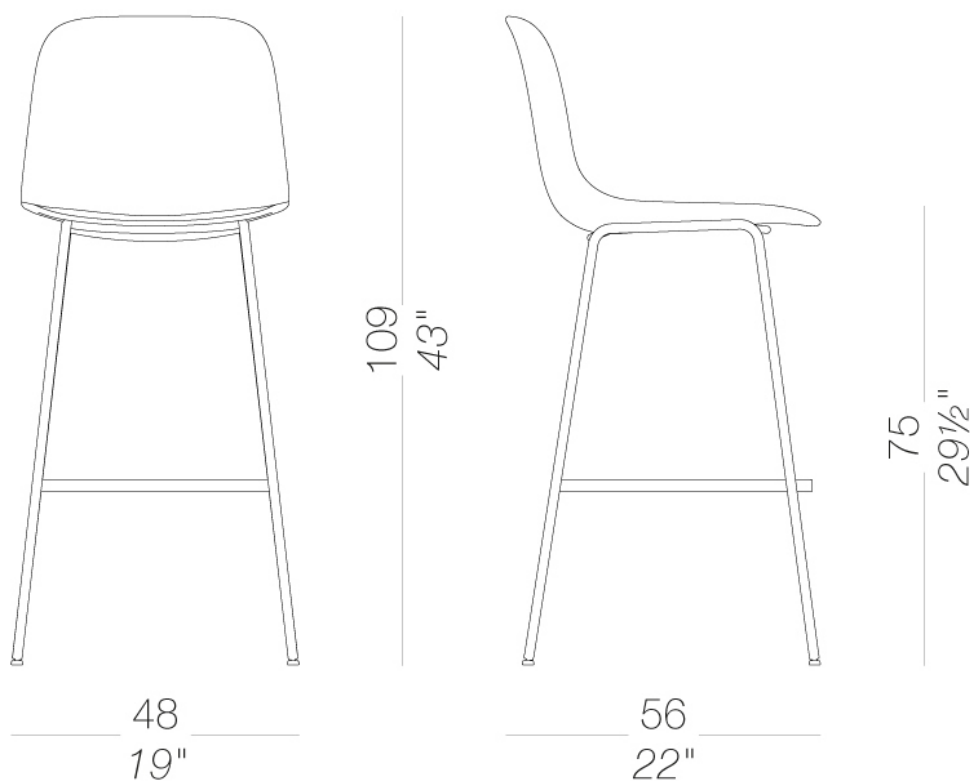
# SEELA

Antti Kotilainen | 2018

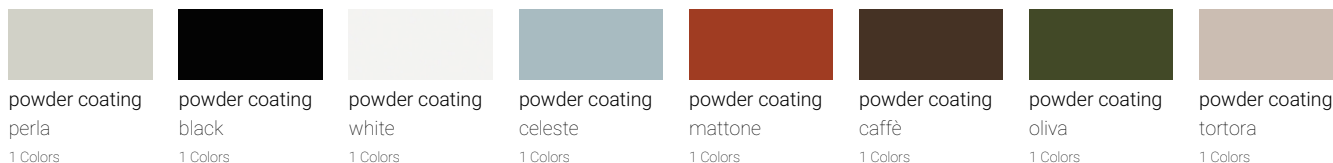
## ES323 | outdoor bar stool 4 legs H75 ☀️

Outdoor stools with base h.75 cm. with 4 legs in stainless steel 304 sandblasted or polyester powder coated. Feet in nylon. Shell with integrated seat piece in polypropylene treated for UV stability and with drainage hole. The seat piece is easily removable with 4 screws and replaceable.

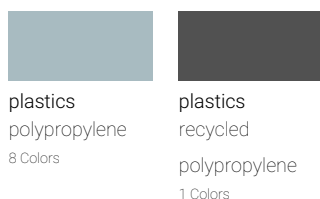
TEST CLASS 1 - PP



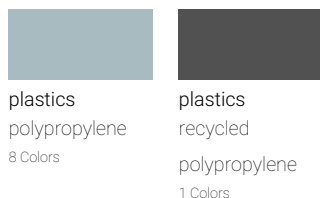
## frame



## shell



## seat-pad



## consult the folder of materials for the range of colors

### use and maintenance instructions

Plastic materials, even if intended for outdoor use, may still be attacked over time by particular atmospheric pollutants (e.g. acid rain, high concentration of PM10, nitrogen oxides, hydrocarbons, etc.). Any changes in the surface and in colours may therefore occur under particular conditions of exposure and cannot be considered grounds for any claims.

Do not use detergents containing bleach, hydrochloric acid or products containing chloride on any metal parts. Salt, limescale or acid (from coffee, wine, orange juice, tomato juice, lemon, etc.) may discolour stainless steel parts if they are not promptly cleaned. Products or parts made of stainless steel used near the sea or in interior fittings of swimming pools require more frequent cleaning to remove chloride deposits and prevent corrosion and chemical attack of the external surface. Stains on stainless steel surfaces must be promptly cleaned. If left for a long time they can become permanent.

To prolong the life of the product, clean the surfaces regularly, dry them with a clean cloth and remove any stagnant water, especially if exposed in locations with a high level of humidity or a marine climate.

When not in use, we recommend storing in sheltered places and covering with waterproof protection. In this case, it is advisable to remove the cover and ventilate the product frequently and regularly to avoid the onset of any mould or stains due to damp.

THE WARRANTY WILL NOT COVER DEFECTS OR IMPERFECTIONS RESULTING FROM THE PASSAGE OF TIME OR TO WEAR AND TEAR DUE TO THE NORMAL USE OF THE PRODUCT.