



regoli bluezone

Designed for versatile outdoor use, Regoli shelves have a minimalist design that blends harmoniously into any context. Made of sturdy cathaphoresis-treated metal, with a layer that protects against rust and weathering and a subsequent powder coating, it is available in white, black, or olive green. Thanks to their modularity, they can be used to create a multitude of solutions, choosing from modules of different widths and depths, always 200 cm high. Even the shelves, either with a grid for the passage of water or solid ones, can be moved as you prefer to meet all needs: for furnishing a patio or terrace, organising a vertical vegetable garden or a collection of plants, storing wood or tools etc..

materials:

finish of cover:

Heritage (Sunbrella) outdoor fabric

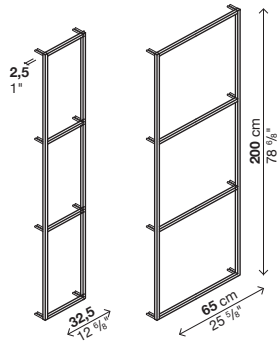
bottom upholstery:

black polyurethane.

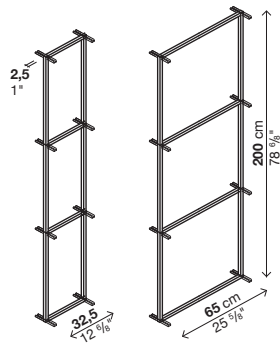
orange skin

223 west erie street,
chicago, il., 60610
t: 312 335 1033 f: 312 335 1025
info@orangeskin.com
www.orangeskin.com

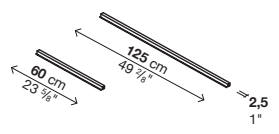
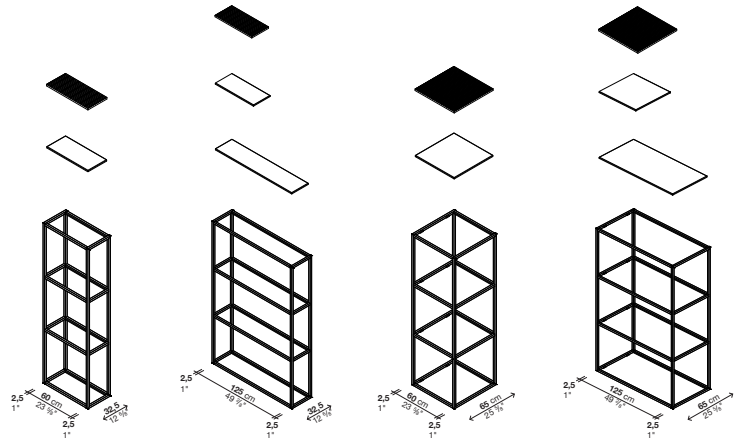
dimensions:



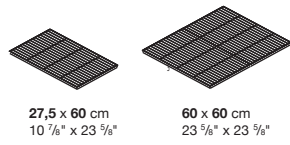
Rh/Lh end structure



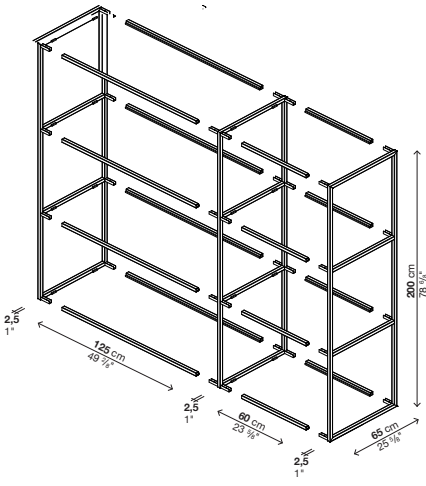
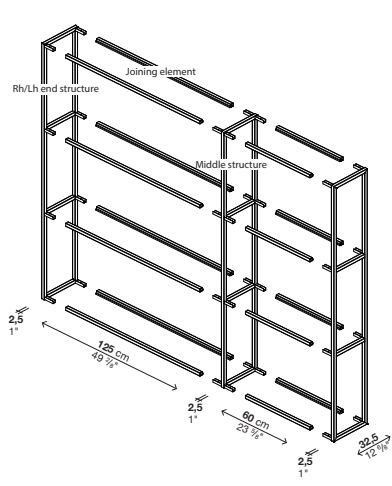
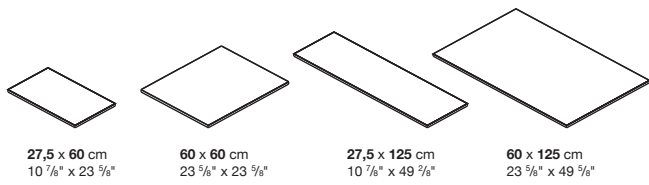
Middle structure



Joining element



Grid shelf



223 west erie street,
 chicago, il., 60610
 t: 312 335 1033 f: 312 335 1025
 info@orangeskin.com
 www.orangeskin.com