



pulp christophe pillet

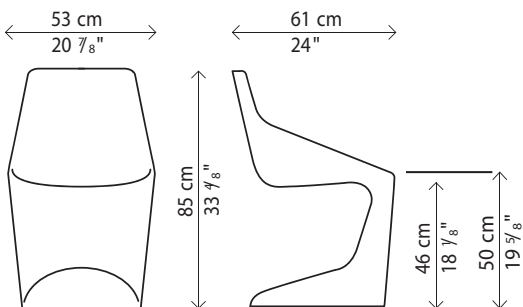
Strong and stylish, Pulp, a cantilever chair designed by Christophe Pillet and produced by Kristalia polypropylene, offers a new design component to enliven not only the home but also any public space (perfect for hotels, hotels, restaurants, bars, shops or even offices). Produced with sleek lines this piece is available in a range of strong colours, making it perfect to highlight the contemporary styling of any space and, due to its unique form, produce a comfortable environment with a modern twist. This chair's stunning form consists of a single surface deliberately modelled around the shape of the human body. Strong, sturdy, yet comfortable and enveloping, this cantilever chair is a new development in recognisable contemporary design. Making it a design statement and talking point for your office, reception area, shop or perhaps even your home.

materials:

finish:

white, black, beige, red coral and or brown polypropylene.

dimensions:



orange skin

223 west erie street,
chicago, il., 60610
t: 312 335 1033 f: 312 335 1025
info@orangeskin.com
www.orangeskin.com