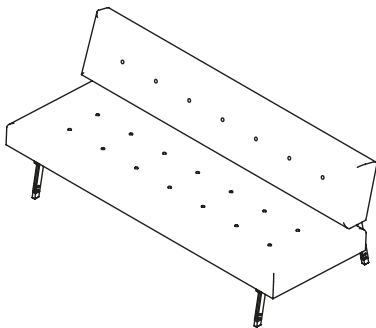


oliver gianfranco frattini

Designed by Gianfranco Frattini in 1957 and produced as from the following year, the 872 sofa has achieved a huge success over the years. Minimalist and elegant, it features a lightweight structure in steel with end feet in wood and tufted upholstery on the seat and back, a detail requiring great craft expertise.

Dimension:



W74.80" X W32.87" X H30.31" - Seat H 15.75"

Material:

Chromed structure



T27
Cromo Nero Opaco
Matt Black Chromed

Painted structure



T02
Bianco
White



T07
Nero
Black

Feet



T43
Noce Scuro
Dark Walnut



T49
Tinto Grigio
Grey

orange skin

223 west erie street,
chicago, il., 60654
t: 312 335 1033 f: 312 335 1025
info@orangeskin.com
www.orangeskin.com