



maki bartoli design

The long-standing partnership between Kristalia and Bartoli Design has resulted in real best sellers such as the Sushi and Nori tables. Now it's time for Maki: a table also inspired by an idea of sheer simplicity, with typically oriental appeal and leg profiles with pleasantly rounded, rather than sharp, corners. Like the other table projects by Bartoli Design, Maki is also available in an extendable or fixed version, in a variety of sizes and colours, allowing a multitude of aesthetic and functional solutions.

materials:

leg finish:

white and black lacquered aluminium
alucompact sand grey and anthracite grey
Fenix-NTM London grey and bromo grey
ventus grey lacquered aluminium

finish of top:

Alucompact laminate; white, sand grey, anthracite grey and black or Pure-white laminate
Fenix-NTM black edge (white, London grey, bromo grey and ingo black) ircoloured edge (kos white and London grey) or Dekton zenith white, ventus grey, Aura.
Gloss glass in standard colors: extra white, anthracite, black and titanium.
Matt glass in colors: extra white, anthracite grey, black and titanium.

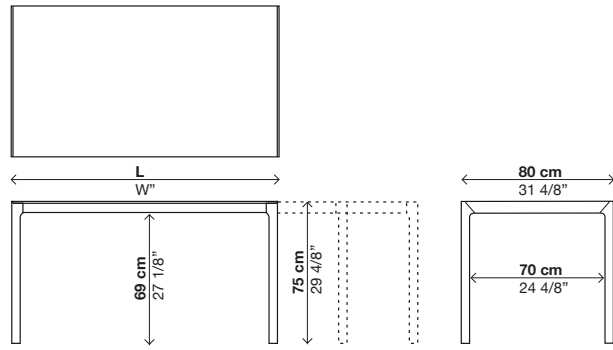
finish of extensions:

white, sand grey, anthracite grey and black Alucompact laminate

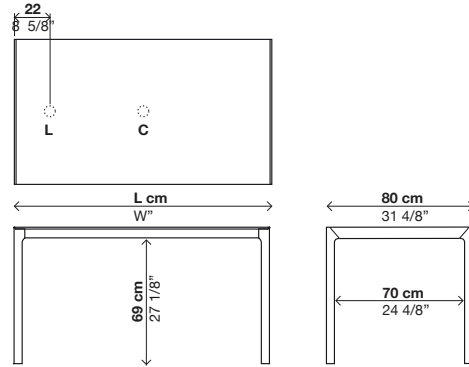


223 west erie street,
chicago, il., 60610
t: 312 335 1033 f: 312 335 1025
info@orangeskin.com
www.orangeskin.com

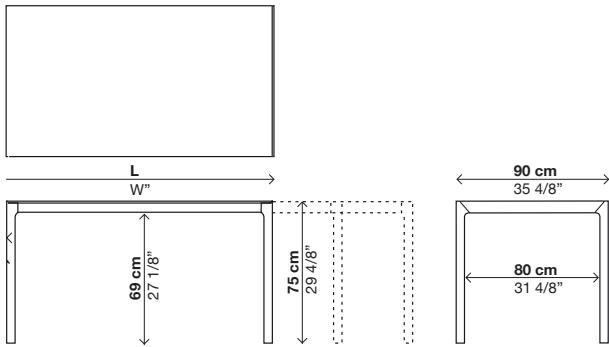
Extensible - Depth 80cm



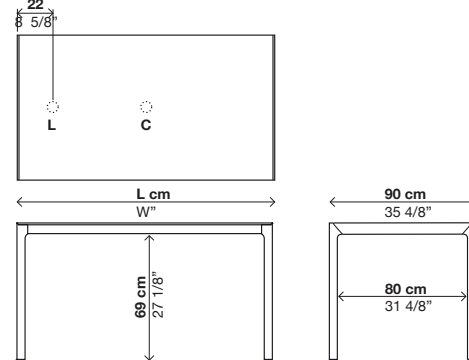
Fixed - Depth 80cm



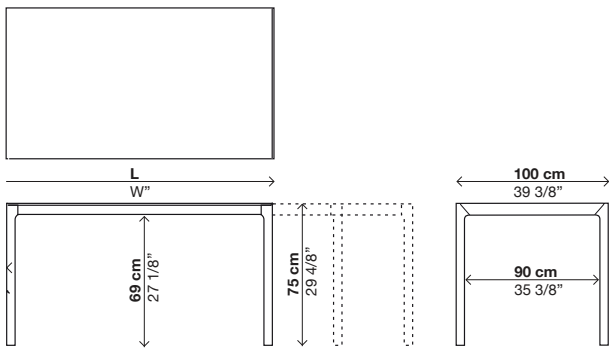
Extensible - Depth 90cm



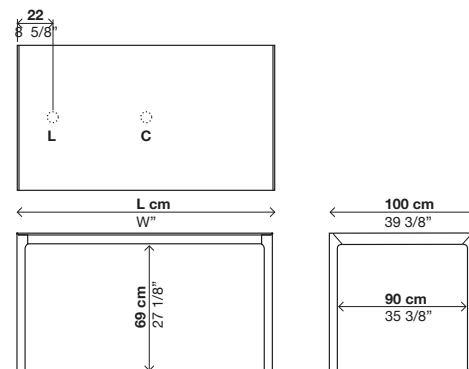
Fixed - Depth 90cm



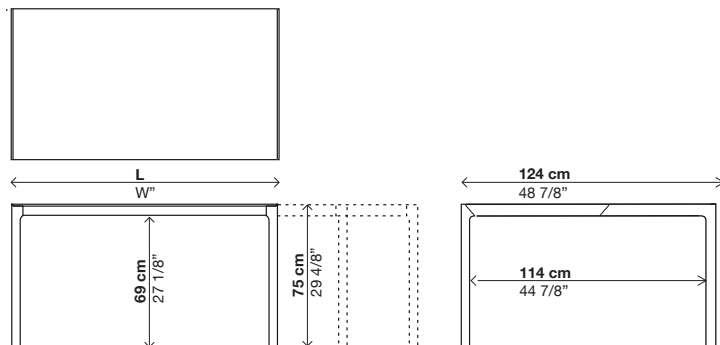
Extensible - Depth 100cm



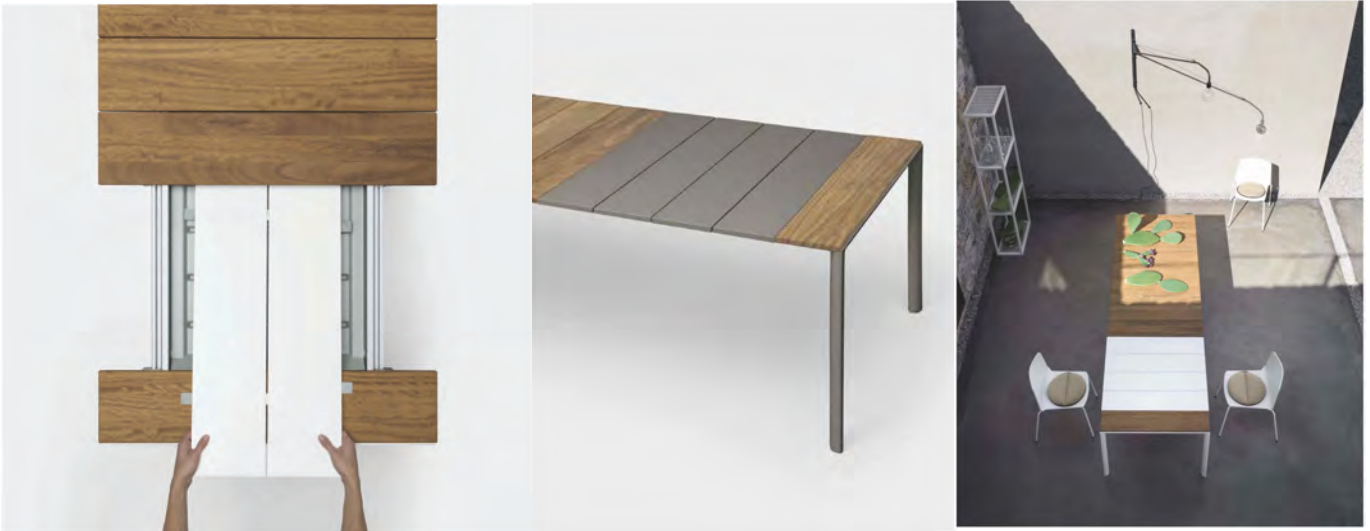
Fixed - Depth 100cm



Fixed - Depth 124cm



223 west erie street,
 chicago, il., 60610
 t: 312 335 1033 f: 312 335 1025
 info@orangeskin.com
 www.orangeskin.com



maki slatted bartoli design

With their rounded shapes, the legs of Maki tables are combined with a staved top made of Teak, FSC certified to respect the environment, which is 20 cm wide and 2 cm thick. The top can be left in its natural color, since over time it acquires an unmistakable silvery shade, or it can be treated with oil to allow it to resume its original color. Extendable tables are fitted with drawn aluminium extensions, housed in a special compartment.

materials:

leg finish:

white, black and olive green lacquered aluminium
Fenix-NTM London grey lacquered aluminium

finish of top:

teak

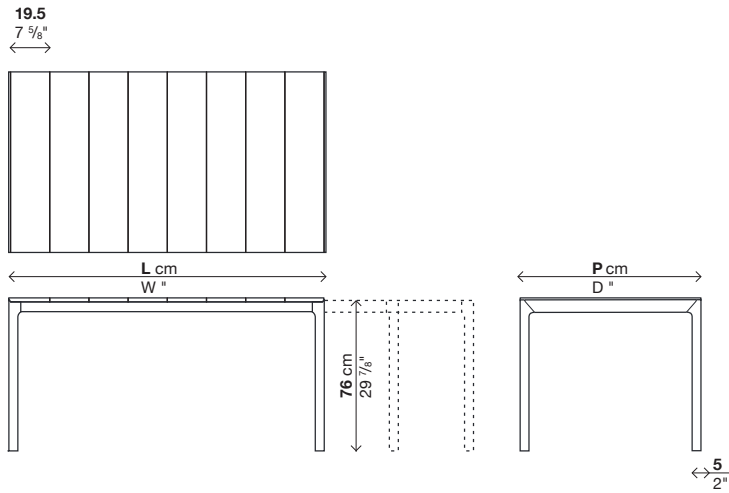
finish of extensions:

lacquered aluminium.

orange skin

223 west erie street,
chicago, il., 60610
t: 312 335 1033 f: 312 335 1025
info@orangeskin.com
www.orangeskin.com

dimensions:



Code	Extensible				Fixed			
	Length (L)	Depth	Legs	Top	Length (L)	Depth	Legs	Top
01MAK85	159-199-239	90	lacque red	teak	159	90	lacque red	teak
01MAK86	179-219-259	90	lacque red	teak	179	90	lacque red	teak
01MAK87	199-239-279	90	lacque red	teak	199	90	lacque red	teak
01MAK90	219-259-299	90	lacque red	teak	219	90	lacque red	teak
01MAK91	179-219-259	100	lacque red	teak	259	90	lacque red	teak
01MAK92	199-239-279	100	lacque red	teak	298	90	lacque red	teak
01MAK93	219-259-299	100	lacque red	teak	100	100	lacque red	teak
01MAK94	219-259-299	124	lacque red	teak	179	100	lacque red	teak
					199	100	lacque red	teak
					219	100	lacque red	teak
					259	100	lacque red	teak
					298	100	lacque red	teak
					219	124	lacque red	teak
					259	124	lacque red	teak
					298	124	lacque red	teak