



holo collection kensaku oshiro

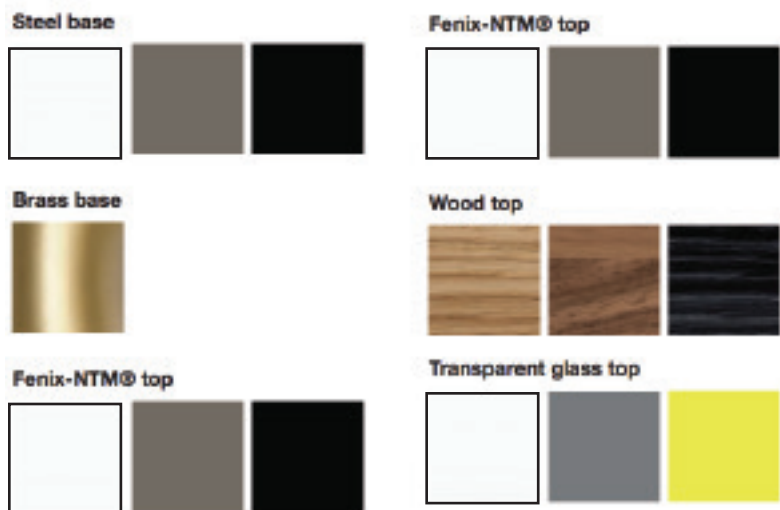
The combination of Kristalia's technology with Kensaku Oshiro's creativity has led to Holo: a table featuring an original base and an oval hole, with a softly moulded shape in sheet metal, made using a process that involves many moulding and bending phases. This original base supports a Fenix-NTM® top with a matt anti-reflective effect that gives the surface of this material warm appeal and a soft touch.

base materials:

- White lacquered steel (similar to RAL 9016)
- "Fenix-NTM® London grey" lacquered steel
- Black lacquered steel (similar to RAL 9004)
- Brass

top materials:

- Kos white 0032 Fenix-NTM®
- London grey 0718 Fenix-NTM®
- Ingo black 0720 Fenix-NTM®
- Brushed European solid oak
- Brushed black solid oak
- Solid American walnut wood
- Transparent extra light glass
- Transparent coloured glass



holo with a central base

dimensions:

W 86-5/8" x D 43-2/5" x H 29-1/2"

W 98-3/8" x D 43-2/5" x H 29-1/2"

W 110-2/8" x 43-2/5" x H 29-1/2"

base materials:

White lacquered steel (similar to RAL 9016)

"Fenix-NTM® London grey" lacquered steel

Black lacquered steel (similar to RAL 9004)

Brass

top materials:

Kos white 0032 Fenix-NTM®

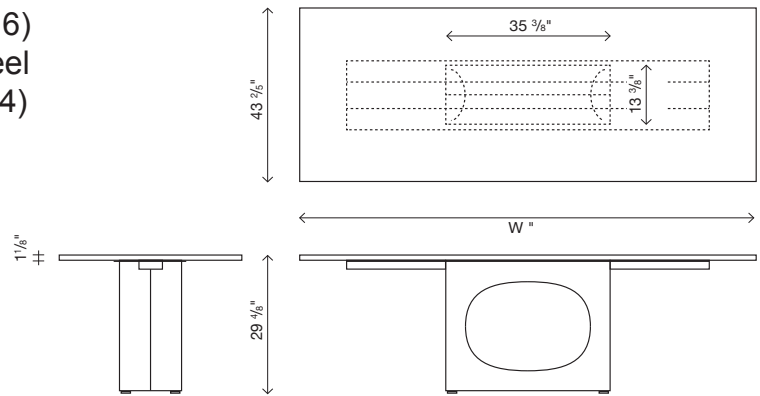
London grey 0718 Fenix-NTM®

Ingo black 0720 Fenix-NTM®

Brushed European solid oak

Brushed black solid oak

Solid American walnut wood



holo glass with a central base

dimensions:

W 86-5/8" x D 39-3/8" x H 29-4/8"

W 98-3/8" x D 39-3/8" x H 29-4/8"

W 110-2/8" x D 39-3/8" x H 29-4/8"

base materials:

White lacquered steel (similar to RAL 9016)

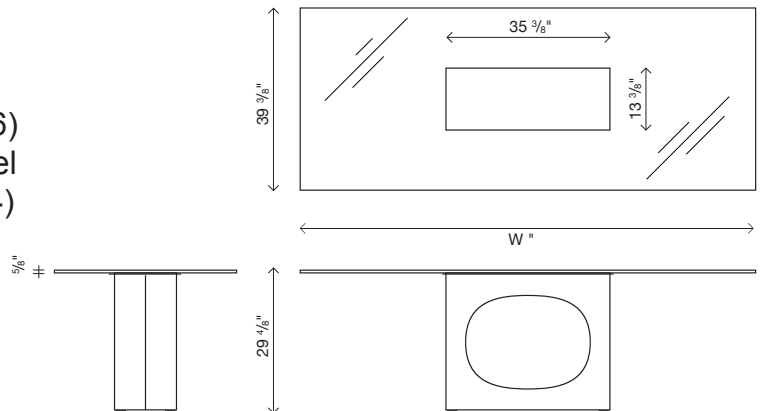
"Fenix-NTM® London grey" lacquered steel

Black lacquered steel (similar to RAL 9004)

Brass

top materials:

Transparent extra light glass



holo with double base

dimensions:

W 126" x D 47.24" x H 29-4/8"

W 141-6/8" x D 53.15" x H 29-4/8"

base materials:

White lacquered steel (similar to RAL 9016)

"Fenix-NTM® London grey" lacquered steel

Black lacquered steel (similar to RAL 9004)

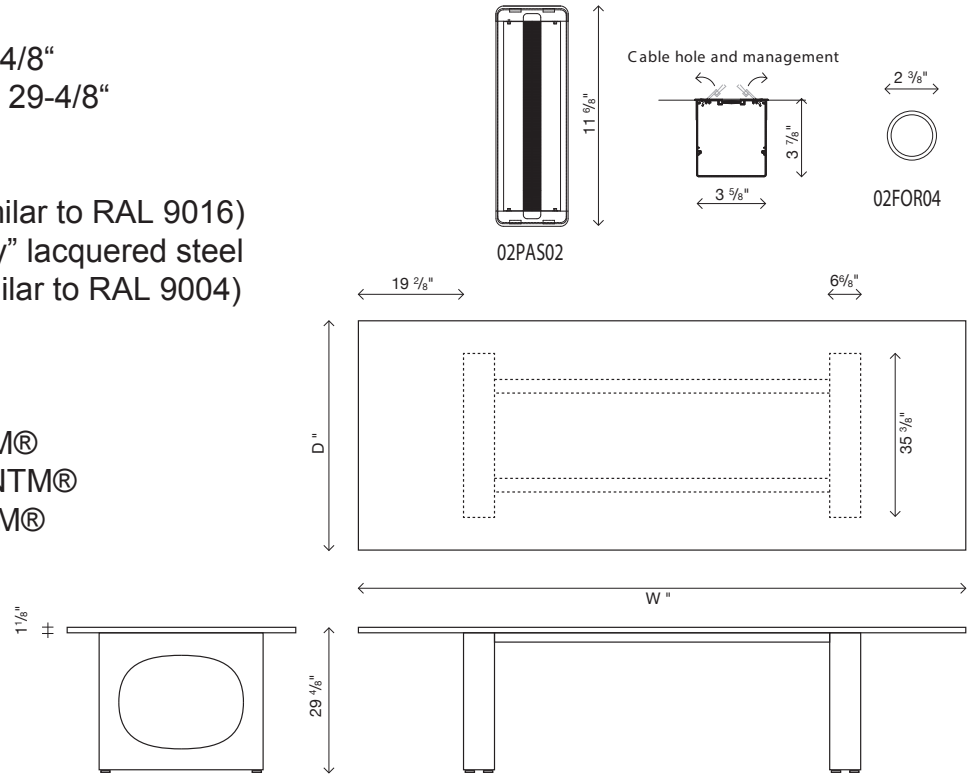
Brass

top materials:

Kos white 0032 Fenix-NTM®

London grey 0718 Fenix-NTM®

Ingo black 0720 Fenix-NTM®



holo occasional table

dimensions:

W 35-3/8" x D 28" x H 14-1/8"

base materials:

White lacquered steel (similar to RAL 9016)

"Fenix-NTM® London grey" lacquered steel

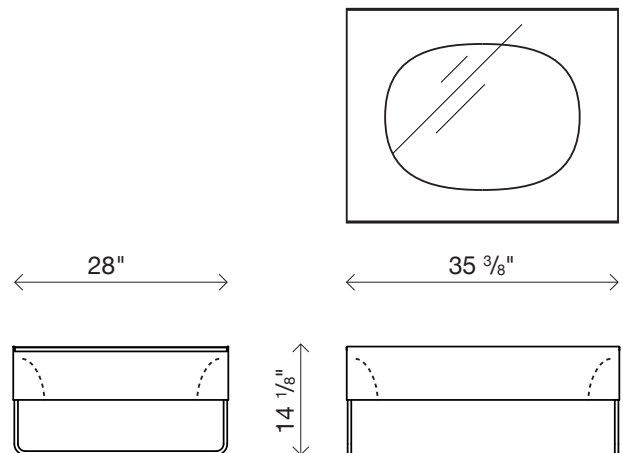
Black lacquered steel (similar to RAL 9004)

Brass

top materials:

Transparent extra light glass

Transparent coloured glass



holo console

dimensions:

W 55-1/8" x D 13-6/8" x H 37"

base materials:

White lacquered steel (similar to RAL 9016)

"Fenix-NTM® London grey" lacquered steel

Black lacquered steel (similar to RAL 9004)

Brass

top materials:

Kos white 0032 Fenix-NTM®

London grey 0718 Fenix-NTM®

Ingo black 0720 Fenix-NTM®

Brushed European solid oak

Brushed black solid oak

Solid American walnut wood

