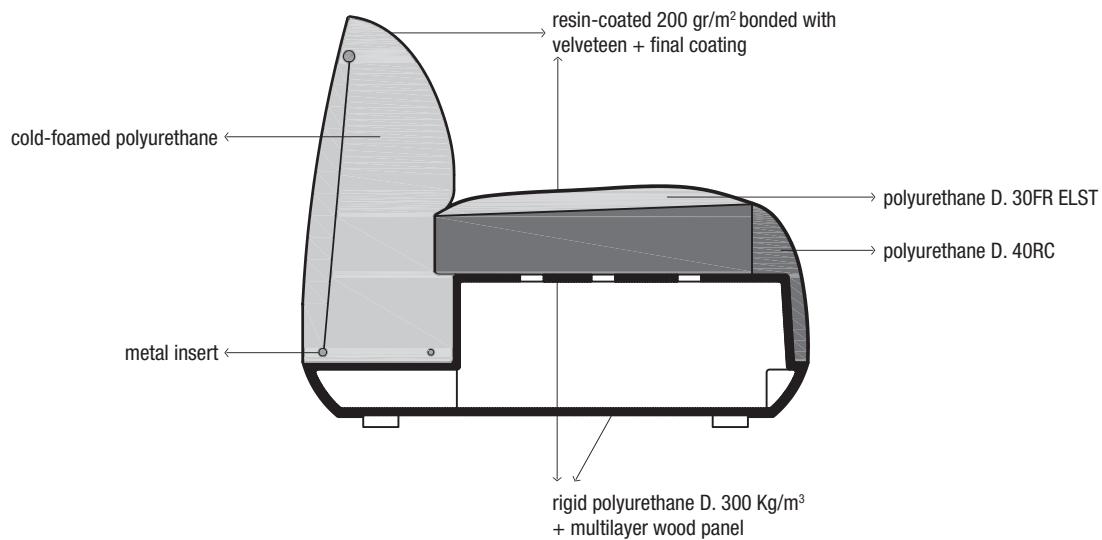
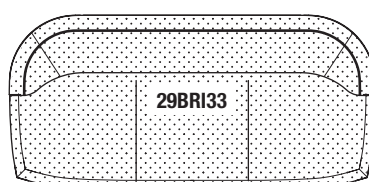
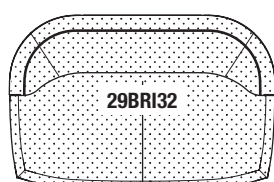
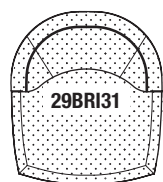


BRIONI-UP

Info



Legend:



BRIONI-UP

Armchair

Finish of cover:

- A = Valencia (synthetic leather)
- B = Field 2, COM (Customer fabric)
- C = Clara 2, Merit, COL (Customer leather)
- D = Curmi, Patio, Remix 2
- E = Canvas 2, Hero, Melange Nap, Scuba
- F = Steelcut Trio 3
- G = Divina Melange 3, Hallingdal 65, Regal
- H = Twill Weave
- L1 = Coast (corrected grain leather)
- L2 = Elmosoft (semi-aniline leather)
- L3 = Elmotique (aniline leather)

Note:

REMOVABLE COVERS:

Removable upholstery (*): FIELD 2, COM, CLARA 2, MERIT, CURMI, PATIO, REMIX 2, CANVAS 2, HERO, MELANGE NAP, STEELCUT TRIO 3, DIVINA MELANGE 3, HALLINGDAL 65, REGAL, TWILL WEAVE.
Fixed upholstery: VALENCIA, COL, SCUBA, COAST, ELMOSOFT, ELMOTIQUE.

(*) The upholstery is TECHNICALLY REMOVABLE but in order to ensure correct adhesion, it must be replaced exclusively by personnel specialised in upholstery.

For info on fabric composition, see inside cover.

For COM/COL orders, see inside cover.

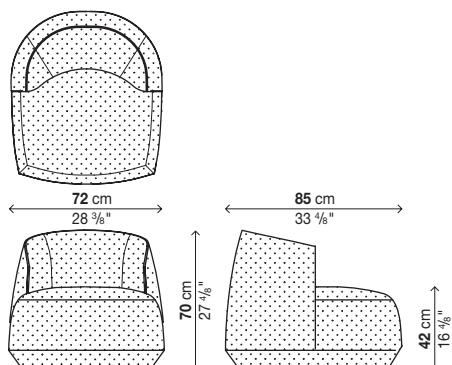
COM consumption: 2,6 ml (H. 140 cm).
COL consumption: 4,2 mq.

Reinforced packaging, see inside cover.

Code	Cover											pack	m ³	Kg		
	A	B	C	D	E	F	G	H	L1	L2	L3					
29BRI31																

Optionals

Code	Description	pack	m ³	Kg
29BRI31	Fire-retardant	-	-	-
	Cushions, see page 121	-	-	-



BRIONI-UP

2 seater sofa

Finish of cover:

- A = Valencia (synthetic leather)
- B = Field 2, COM (Customer fabric)
- C = Clara 2, Merit, COL (Customer leather)
- D = Curmi, Patio, Remix 2
- E = Canvas 2, Hero, Melange Nap, Scuba
- F = Steelcut Trio 3
- G = Divina Melange 3, Hallingdal 65, Regal
- H = Twill Weave
- L1 = Coast (corrected grain leather)
- L2 = Elmosoft (semi-aniline leather)
- L3 = Elmotique (aniline leather)

Note:

REMOVABLE COVERS:

Removable upholstery (*): FIELD 2, COM, CLARA 2, MERIT, CURMI, PATIO, REMIX 2, CANVAS 2, HERO, MELANGE NAP, STEELCUT TRIO 3, DIVINA MELANGE 3, HALLINGDAL 65, REGAL, TWILL WEAVE.
 Fixed upholstery: VALENCIA, COL, SCUBA, COAST, ELMOSOFT, ELMOTIQUE.

(* The upholstery is TECHNICALLY REMOVABLE but in order to ensure correct adhesion, it must be replaced exclusively by personnel specialised in upholstery.

For info on fabric composition, see inside cover.

For COM/COL orders, see inside cover.

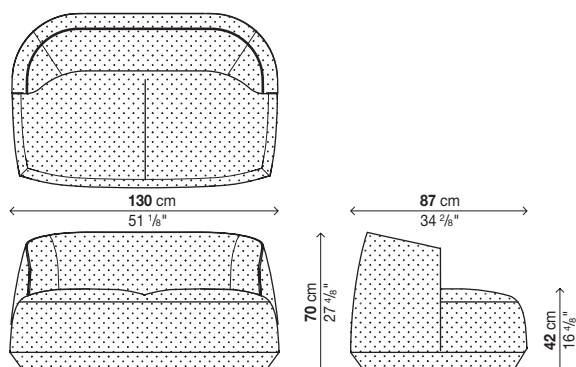
COM consumption: 3,7 ml (H. 140 cm).
 COL consumption: 7,5 mq.

Reinforced packaging, see inside cover.

Code	Cover											pack	m ³	Kg		
	A	B	C	D	E	F	G	H	L1	L2	L3					
29BRI32																

Optionals

Code	Description	pack	m ³	Kg
29BRI32	Fire-retardant	-	-	-
	Cushions, see page 121	-	-	-



BRIONI-UP

3 seater sofa

Finish of cover:

- A = Valencia (synthetic leather)
- B = Field 2, COM (Customer fabric)
- C = Clara 2, Merit, COL (Customer leather)
- D = Curmi, Patio, Remix 2
- E = Canvas 2, Hero, Melange Nap, Scuba
- F = Steelcut Trio 3
- G = Divina Melange 3, Hallingdal 65, Regal
- H = Twill Weave
- L1 = Coast (corrected grain leather)
- L2 = Elmosoft (semi-aniline leather)
- L3 = Elmotique (aniline leather)

Note:

REMOVABLE COVERS:

Removable upholstery (*): FIELD 2, COM, CLARA 2, MERIT, CURMI, PATIO, REMIX 2, CANVAS 2, HERO, MELANGE NAP, STEELCUT TRIO 3, DIVINA MELANGE 3, HALLINGDAL 65, REGAL, TWILL WEAVE.

Fixed upholstery: VALENCIA, COL, SCUBA, COAST, ELMOSOFT, ELMOTIQUE.

(*) The upholstery is TECHNICALLY REMOVABLE but in order to ensure correct adhesion, it must be replaced exclusively by personnel specialised in upholstery.

For info on fabric composition, see inside cover.

For COM/COL orders, see inside cover.

COM consumption: 4,7 ml (H. 140 cm).

COL consumption: 9,5 mq.

Reinforced packaging, see inside cover.

Code	Cover											pack	m ³	Kg		
	A	B	C	D	E	F	G	H	L1	L2	L3					
29BRI33																

Optionals

Code	Description	pack	m ³	Kg
29BRI33	Fire-retardant	-	-	-
	Cushions, see page 121	-	-	-

